

SERIES 2001V

INDUSTRIAL HOSE PUMPS

Designed to meet the demanding requirements of chemical injection, dispensing and transfer applications



Exceptional self-priming capabilities make the 2001V Series an ideal choice for hard-to-handle chemicals such as sodium hypochlorite, hydrogen peroxide or viscous polymers.

An extremely wide range of flow outputs can be obtained by simply changing the tubing size.

One size pumphead accepts six standard tubing sizes. The sealed, spring-loaded pumphead rollers provide extended tubing life and automatically compensate for minor variations in pump tube wall thickness.

2001V CONTROLLER

The 2001V Series controller mounts on a wall or panel away from harsh chemicals. The rugged NEMA 4X motor drive controller is easy to program and extremely reliable.



SAFETY FIRST - Sealed Pump Head Design

An optional tubing rupture detector will automatically shut down the 2001 pump and signal an alarm in the event of a tubing leak. Together, the unique 2001 sealed pump design and the Tubing Rupture Detector help to protect operators and other equipment from potentially dangerous fumes and chemicals.



2001V FEATURES

- Flows to 50.2 GPH, Pressures to 100 psi.*
- Rugged industrial drive uses standard 56C face motors.
- Seal-less pumping technology.
- Self-priming – suction lifts to 30 ft.
- No check valves – few moving parts.
- Remote wall mount controller with LED display and keypad in NEMA 4X enclosure.
- Dry run capability.
- User selectable manual or automatic control via 0-10VDC, 4-20mA or RS485/MODBUS
- Various long life chemical resistant tubing options available.

* Pressure rating dependent on tubing size.

PERISTALTIC PUMPS



FLOMOTION 2001V SERIES ENGINEERING SPECIFICATIONS

MOTOR

- 1/3 HP TEFC
- Standard NEMA 56C Face mounting flange
- Explosion proof, washdown and DC motors available

MECHANICAL

- Pump weight: 59 lbs
- Controller weight: 3 lbs
- Pumphead: Stainless Steel
- Motor Gearbox: Corrosion Resistant Epoxy Coated
- Color: Gray

TUBING DESCRIPTIONS

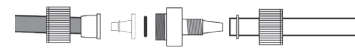
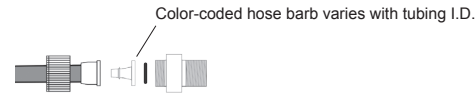
- FLOPRENE™ - Thermoplastic elastomer
 - TYGOPRENE XL-60 - PVC based thermoplastic
 - NORPRENE¹ - Thermoplastic elastomer
 - CHEMSURE² - Fluoroelastomer
- ¹ Registered Trademark of Saint-Gobain Performance Plastics

² Registered Trademark of W.L. Gore & Associates

2001V CONTROLLER

- Wall mount with LED display
- Integral 6 button keypad
- Selectable manual or automatic control via 0-10 VDC or 4-20 mA
- Remote start/stop capabilities
- Forward/Reverse capability
- 4-20mA speed output signal
- NEMA 4X enclosure
- 115 VAC input, 230VAC 3-phase opt
- Optional RS-485/MODBUS
- Optional Integral Power Disconnect

ACCESSORIES



Tubing Adapters

AGENCY APPROVALS

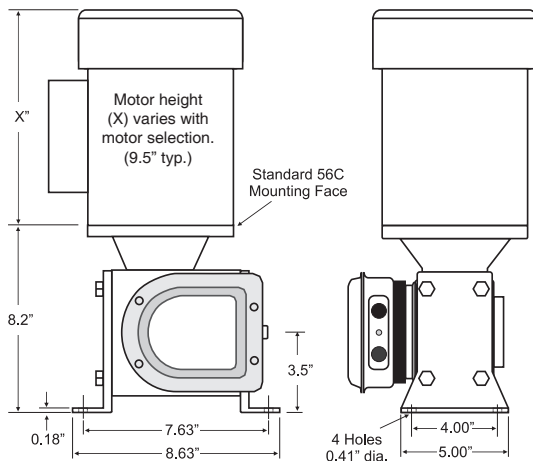


2001V SERIES Estimated Pumping Capacity						
Tubing No.	#119	#120	#15	#24	#35 & 121	#36 & 122
Tubing Size	1.6mm bore (1/16")	3.2mm bore (1/8")	4.8mm bore (3/16")	6.4mm bore (1/4")	8mm bore (5/16")	9.6mm bore (3/8")
ml/min @ 0.6 - 90 rpm	0.27 - 41 (0.004 - 0.64 gph)	1.13 - 169 (0.02 - 2.68 gph)	2.46 - 369 (0.04 - 5.85 gph)	4.44 - 666 (0.07 - 10.56 gph)	6.60 - 990 (0.10 - 15.69 gph)	8.64 - 1296 (0.14 - 20.54 gph)
ml/min @ 1.8 - 220 rpm	0.81 - 99 (0.013 - 1.57 gph)	3.38 - 414 (0.05 - 6.56 gph)	7.38 - 902 (0.12 - 14.30 gph)	13.32 - 1628 (0.21 - 25.80 gph)	19.80 - 2420 (0.31 - 38.36 gph)	25.92 - 3168 (0.41 - 50.21 gph)
Pressure max psi	100psi	100	80	60	30	30
ml/rev*	0.45	1.88	4.1	7.4	11	14.4

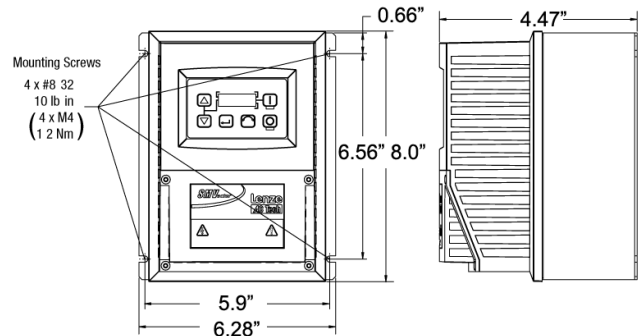
*Actual flow rates may vary

DIMENSIONS

2001V Motor and Pump



2001V Remote Mount Controller



FLOMOTION SYSTEMS Inc.

165 Creekside Drive, Suite 112

Buffalo NY 14228-2103

Tel: 716-691-3941

Fax: 716-691-1253

Email: info@flomotionsystems.com

www.flomotionsystems.com

