

DR5000

SINGLE & DUAL PEN CHART RECORDERS

Offers the best of both worlds, ink cartridge or thermal printing.



DR5000 Circular Chart Recorder

The ink style DR5000 is the first recorder to self document setup configuration and can operate using standard or competitive charts, another first in the industry.

Programmable alarm options combined with ease of setup provide the flexibility required for multiple recording applications.

Eliminate multi-vendor chart inventories while reducing operator confusion. Protect your process with the DR5000 battery backup option, continuous recording for up to 48 hours in the event of power loss.

The thermal print version offers a single chart inventory for all of your recording needs. Print your own chart technology includes real time trend and digital data directly on your historical records. No more confusion when replacing charts.

The DR5000 the right choice for your paper recording applications.

DR5000 FEATURES

- Ink or Print recording
- No manual required for setup
- No dip switches to set during configuration
- Uses standard or competitive charts
- Up to 48 hrs of recording during power loss (opt)
- Latching or Non-latching relays
- UL, CUL & CE approvals



DR5000 Chart Recorders are perfect for use with Flomotion Systems ISOMAG electromagnetic flow meters and FM8000 Open Channel flow meters.

CHART RECORDERS

FLOMOTION DR5000 ENGINEERING SPECIFICATIONS

POWER

Line Voltage: 110/220VAC, 50/60Hz
Power Consumption: 15 VA maximum

INPUT

Thermocouple (T/C): Type J, K, T, R, B, S,
RTD: PT 100 ohm RTD (385 curve)
Linear: 4-20 mA, 1-5 VDC, 0-5 VDC
Range: Per table in manual
Common Mode Rejection: > 120dB at 60 Hz
Cold Junction Accuracy: $\pm 0.2^{\circ}\text{C}@25^{\circ}\text{C}$ ambient
Ambient Error: $\pm 0.01\%$ span/ $^{\circ}\text{C}$ from 25°C ambient
Isolation: inputs share common ground on 2 pen units
Input Impedance: Linear = 249 ohm/ TC = 470Kohm

RECORDING

Chart Size: 10"
Recording Accuracy: $\pm 0.5\%$ of span (100 division span)
Sensor Break: Full scale Pen < 10 seconds
Chart Speed: Configurable
Input Filtering: Programmable up to 120 seconds
Process Display Option: Red LED, 4 digit

OPTIONS

Relay: DPDT, 1.0 Amps@120 VAC resistive
Relay Program: Process, Band, Non-latching, Latching
Error Protection: De-energized during sensor break
Hysteresis: Set at 2 units, activation is safe sided
Battery Back up:
Ink Style: Up to 48 hours of recording (optional)
Thermal Print Style: Maintains real time clock only

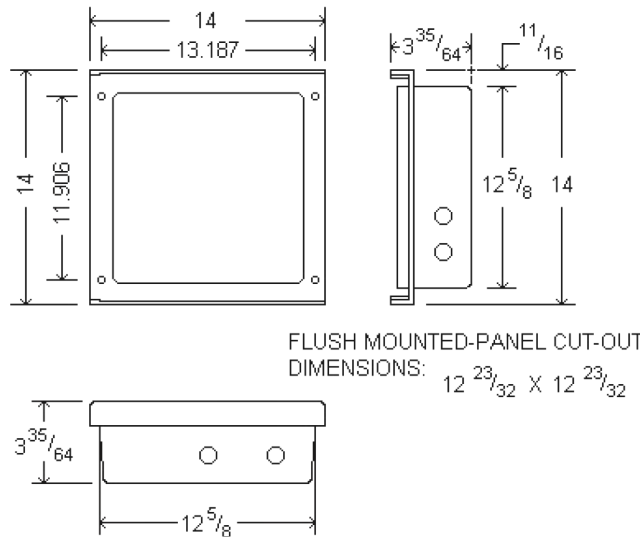
ENVIRONMENTAL AND PHYSICAL

Operating Temperature: 0 to 140°F
Storage Temperature: -40 to 150°F
Humidity: 0-90% RH (non-condensing)
Vibration: 0.3 to 100Hz@0.2g
Mounting: ± 20 degrees of vertical, ± 10 degrees of horizontal
Moldings: Fire retardant Noryl w/acrylic window
Panel Rating : Nema 3 std (Nema4 option)
Dimensions: 14.0" (H) x 14.0" (W) x 3.8" (D)
Panel Cutout: Industry Standard 12.7" x 12.7"
Weight: 7 pounds maximum

AGENCY APPROVALS



DIMENSIONS



FLOMOTION SYSTEMS Inc.

165 Creekside Drive, Suite 112

Buffalo NY 14228-2103

Tel: 716-691-3941

Fax: 716-691-1253

Email: info@flomotionsystems.com

www.flomotionsystems.com

