

GROUNDING RINGS

FOR GROUNDING OF ELECTROMAGNETIC FLOWMETERS

Improves performance in lined or non-metallic pipes



Flomotion Systems GR Series grounding rings are available for all standard magmeter sizes.

FEATURES

- Sizes: 1-1/2 to 48 inches
- Thickness: 1/8 inch
- Materials: 304 SS (other materials upon request)
- Designed for 150# flanges
- Integral connection point for grounding wire

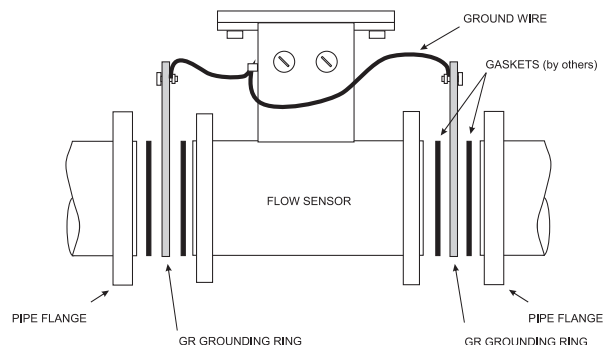
DESCRIPTION

Flomotion Systems GR Series grounding rings provide improved performance with electromagnetic flowmeters when used in lined or non-metallic piping systems by eliminating stray AC or DC electrical noise present in the fluids.

GR Series grounding rings are installed before and after the flow sensor, between the sensor and the pipe flanges. Grounding connections are made using the extended tab.

GR Series grounding rings also help to protect the leading edge of the flow sensor liner from wear when used with abrasive fluids.

Standard grounding rings are available in 304 SS with other materials available upon request.

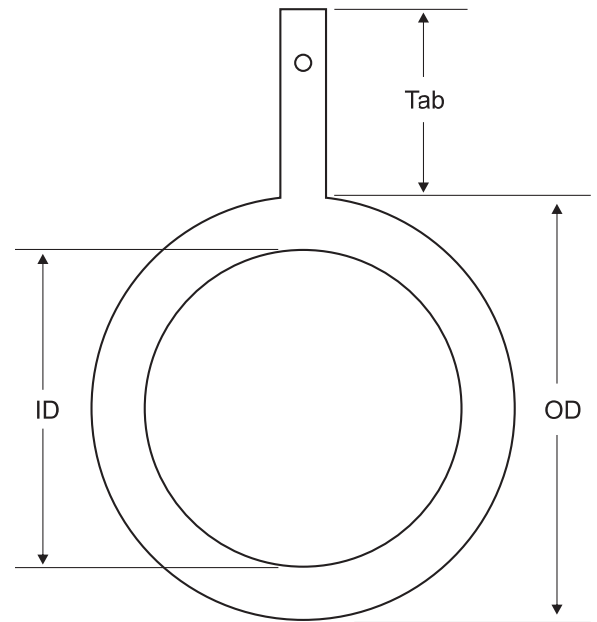


GROUNDING RINGS



DIMENSIONS

Part No.	Flange Size	ID (in)	OD (in)	Tab (in)	Thickness (in)
GR40SS	1-1/2	1.53	2.53	2	0.125
GR50SS	2	2.06	3.62	4	0.125
GR80SS	3	3.14	5.00	4	0.125
GR100SS	4	4.13	6.19	4	0.125
GR150SS	6	6.23	8.50	5	0.125
GR200SS	8	8.18	10.63	5	0.125
GR250SS	10	10.21	12.75	5.75	0.125
GR300SS	12	12.16	15.00	5.75	0.125
GR350SS	14	13.33	16.25	5.75	0.125
GR400SS	16	15.33	18.50	5.75	0.125
GR450SS	18	17.39	21.00	5.75	0.125
GR500SS	20	19.33	23.00	5.75	0.125
GR600SS	24	23.27	27.25	5.75	0.125
GR750SS	30				
GR900SS	36				
GR1200SS	48				



FLOMOTION SYSTEMS Inc.
 165 Creekside Drive, Suite 112
 Buffalo NY 14228
 Tel: 716-691-3941
 Fax: 716-691-1253
 Email: info@flomotionsystems.com
www.flomotionsystems.com