

LT260 SERIES

ULTRASONIC LOOP POWERED LEVEL TRANSMITTER



The LT260 Series is designed to measure liquid level in a wide variety of applications.

The compact, loop-powered LT260 provides continuous, non-contacting level measurement. With a measuring range of 26ft (8m) the LT260 will accommodate a wide range of applications.

The large LCD display, 4 status lights and 5 button keypad make setup and operation quick and easy.

LT260 FEATURES

- Accuracy of 0.2% with 1mm resolution
- Easy to install 3" NPT or 2-1/2" flange fitting
- Loop powered 4-20mA (max 550 Ω @24VDC)
- 5 digit numeric LCD display
- Integral 5 button keypad
- 4 status lights
- Built-in temperature compensation sensor
- Rugged enclosure

APPLICATIONS

- Bulk Chemical Storage
- Pump Stations
- Clarifiers
- Filtration Levels
- River Level Monitoring
- Trash Rack Level Monitoring
- Waste Sump
- Tanker Truck Filling
- Water Storage Towers
- Reactors

ULTRASONIC LEVEL

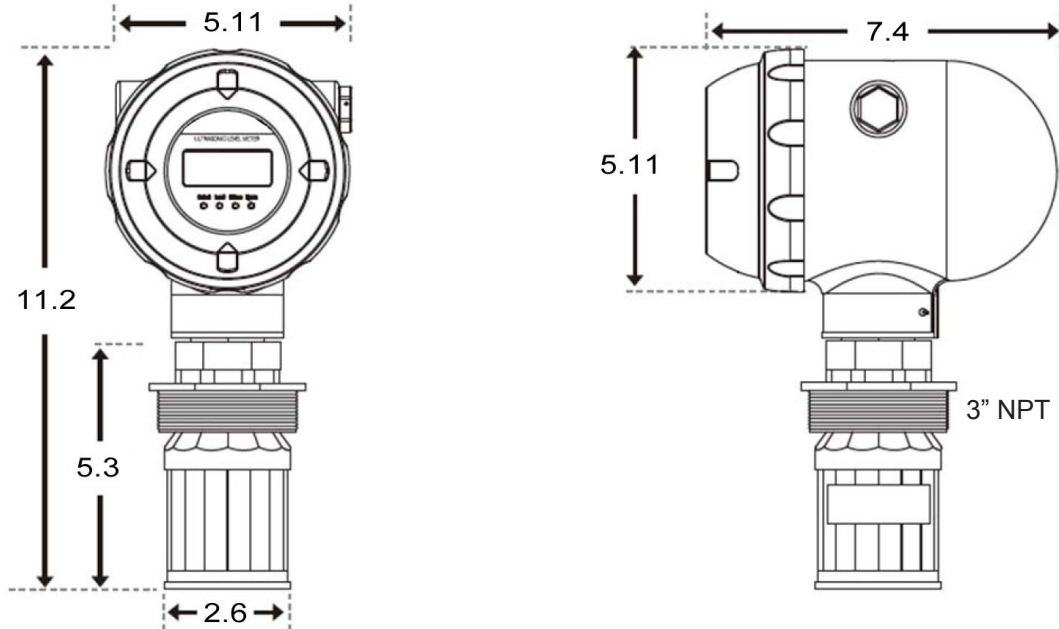


FLOMOTION LT260 ENGINEERING SPECIFICATIONS

TECHNICAL SPECIFICATIONS

Dimensions	7.4 x 11.2 in. (187 x 284.5 mm)
Process Connection	3" NPT (or optional 2-1/2" Flange)
Housing Material	Aluminum Alloy
Sensor Material	PVDF
Weight	6.2 lbs (2.8 Kg)
NEMA Rating	NEMA 6
Temperature	-4°F to 158°F (-20°C to 70°C)
Measurement Range	26ft (8m)
Deadband	0.98 ft
Accuracy	0.2% of F.S.
Display Resolution	0.04 in (1mm)
Beam Angle	8° at -3dB
Damping Rate	Adjustable
Temperature Compensation	Built-in
Analog Output	4-20mA, 550 Ω at 24VDC
Display	5 Digit Numeric LCD
Power Supply	20 to 30VDC
Supply Current	0.022A max
Cerification	CE

Specifications subject to change without prior notice.



FLOMOTION SYSTEMS Inc.
 165 Creekside Drive, Suite 112
 Buffalo NY 14228-2103
 Tel: 716-691-3941
 Fax: 716-691-1253
 Email: info@flomotionsystems.com
www.flomotionsystems.com

