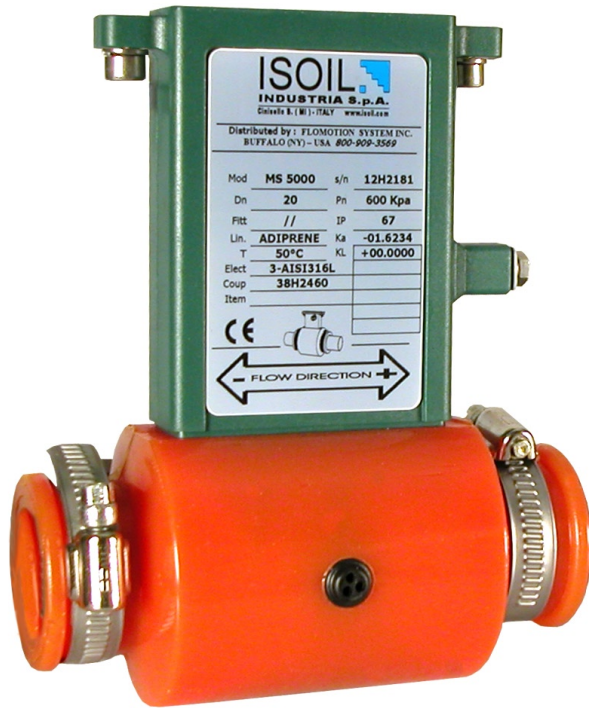


MS5000

ELECTROMAGNETIC FLOWMETERS

Unique Low-Cost Corrosion Resistant Design
with Quick Hose Clamp Mounting

LOW
COST
and
EASY TO
INSTALL!



TYPICAL APPLICATIONS

- Polymers
- Wastewater
- Lime Slurries
- Dyes
- Admixtures
- Acids
- Caustics
- Slurries
- Water
- Starches
- Irrigation

The economical polyurethane MS5000 includes built-in o-ring seals and speedy "clamp-on" installation. The sensor can be equipped with a local or remote mounted converter.

MS5000 FEATURES

- Accuracy to $\pm 1\%$ of rate from 1 to 33 ft/sec.
- Three sizes from 1" to 3" Pipe Diameters.
- Flow ranges from 2.4 to 800 GPM.
- Standard pressure: 90 PSI.
- Volumetric flow rate measurement independent of fluid viscosity, density and temperature.
- No moving parts for zero maintenance.
- Bi-directional flow measurement.
- No pressure drop through sensor.
- Minimal straight pipe run required.
- Every sensor is factory wet-calibrated.

CONVERTER FEATURES



	ML51 Loop Powered Converter	ML110 Basic Converter
Accuracy	0.5%	0.4%
Mounting	Sensor	Sensor or wall
Keypad	N	3 Internal Keys
LCD Display	N	2-Line Alphanumeric
LCD Backlight	N	N
4-20mA Output	Y	Y (opt)
Pulse/Frequency/Alarm Output	1 Assignable Open Collector	2 Assignable Open Collector
Empty Pipe Detection	Y	Y
Interface	PC	PC
Batch Function	N	N
Power Supply	4-20mA Current Loop (19-33VDC) 12VDC @ 12mA (pulse output only)	90-265 VAC (Std) 10-63VDC 15-45VAC
Enclosure	Plastic NEMA 4X	Plastic NEMA 4X

ELECTROMAGNETIC FLOWMETER

ENGINEERING SPECIFICATIONS

MS5000 Flow Sensor

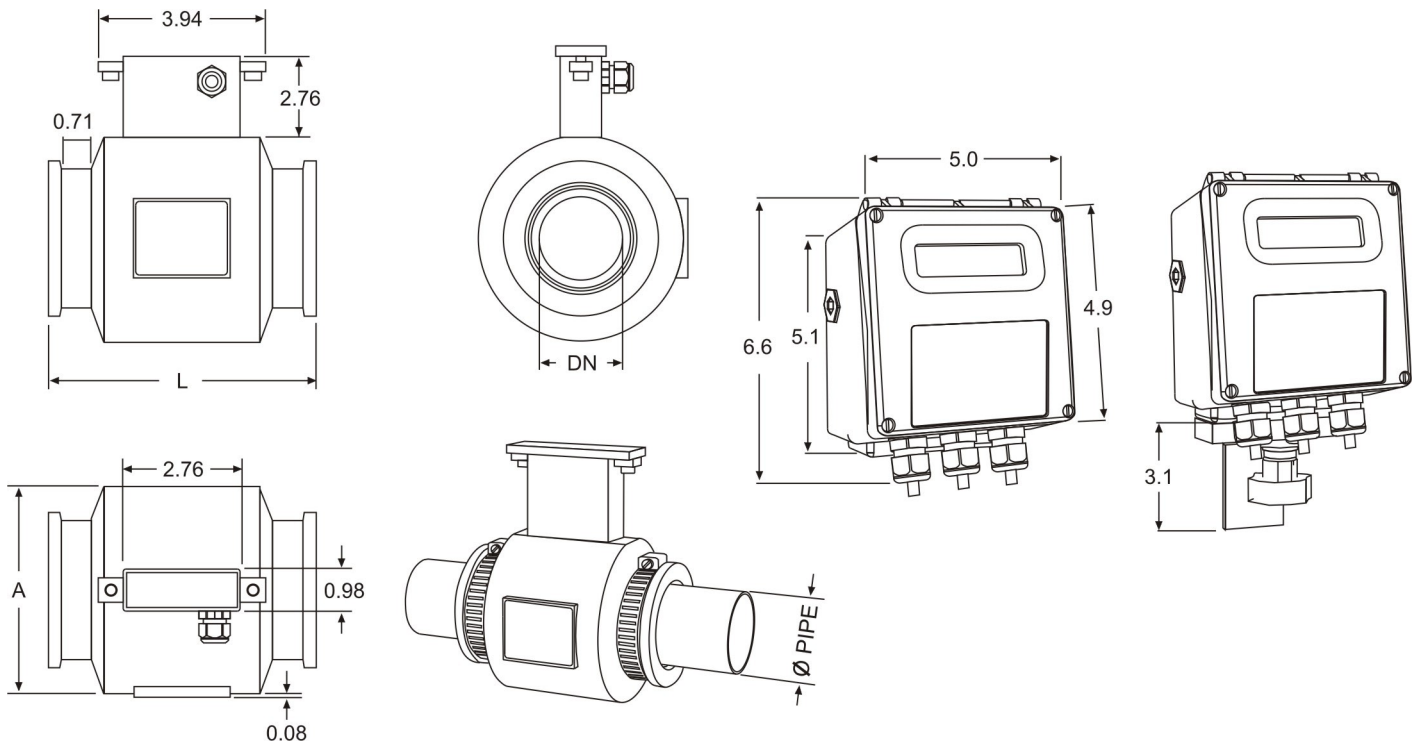
- Accuracy:
 - ±1% of rate from 1 to 33 ft/sec.
- Repeatability: ±0.5%
- Temperature:
 - Process: 32 to 122 °F
- Pressure: 90 PSI
- Lining Material: Polyurethane Rubber
- Body Material: Polyurethane Rubber
- Electrode Material: 316 S.S.*
- Number of Electrodes: 3 (2 Flow, 1 Ground)
- Environmental Rating:
 - Compact Version - IP67 / NEMA 6 Temporary Submersion
 - Remote Version - IP68 / NEMA 6P - Extended Submersion (sensor)
- Fluid Conductivity: 5 µS/cm (min.)

* Hastelloy C or Titanium optional (other materials on request)

DIMENSIONS

Size (in.)	Sensor Size (DN)		
	1"	2"	3"
Min Flow Rate (gpm @ 1 ft/sec)	2.37	9.49	24.30
Max Flow Rate (gpm @ 33 ft/sec)	77.9	311.5	797.4
Length (L below)	5.32	6.30	7.48
Body Diameter (A below)	3.15	4.88	6.06
Pipe Diameter (Ø below)	1.33	2.37	3.50

*DN = nominal diameter



MS5000 Sensor

Dimensions are in inches

FLOMOTION SYSTEMS Inc.
 165 Creekside Drive, Suite 112
 Buffalo NY 14228-2103
 Tel: 800-909-FLOW (3569)
 Tel: 716-691-3941
 Fax: 716-691-1253
 Email: info@FlomotionSystems.com
 www.FlomotionSystems.com

