

PRESSURE GAUGE CHEMICAL SEAL / ISOLATOR



SIGMAMOTOR

Provides Isolation From Hazardous Or Corrosive Liquids

SIGMAMOTOR Pressure Gauge Isolators allow standard pressure gauges to be used in corrosive services.

The upper section (gauge side) is filled with glycerin, mineral oil, silicone or halocarbon. A diaphragm separates the glycerin from the lower section which connects to the pressure source.

A 1/2" port is provided for connection to the pressure source.

Features

- CNC precision machined parts
- Variety of materials available
- Various pressure ranges available
- Cost effective and reliable
- 2.5" Dial (4" dial optional)
- Pre-filled with glycerin between gauge and diaphragm

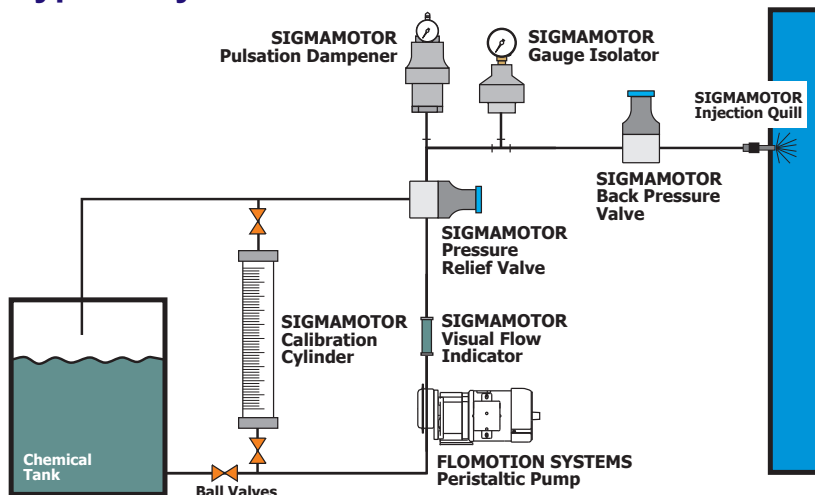


316 SS



POLYPROPYLENE

Typical System



CHEMICAL FEED ACCESSORIES

GI: - - - -
 1 2 3 4 5

Example: GI-N-C030-P-V-SS

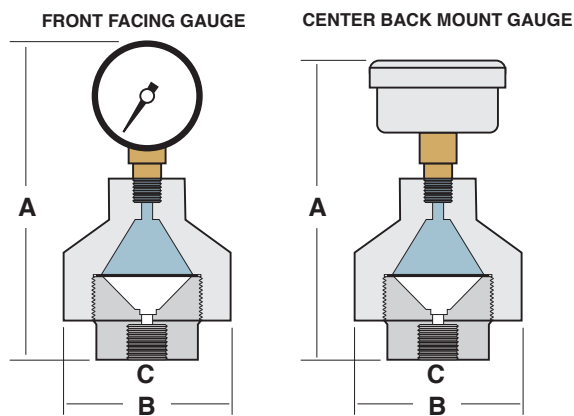
INLET CONNECTION TYPE 1	
NPT	N
SOCKET	S
FLANGED	F
UNION	U

SIZE 2							
SELECT:	C030	030	060	100	160	200	300
PSI RATING	-30,0,30	0-30	0-60	0-100	0-160	0-200	0-300
A-Height (in) front facing gauge	6.6	6.6	6.6	6.6	6.6	6.6	6.6
A-Height (in) top facing gauge	5.3	5.3	5.3	5.3	5.3	5.3	5.3
B-Diameter (in)	3.2	3.2	3.2	3.2	3.2	3.2	3.2
C-Connection (in)	1/2	1/2	1/2	1/2	1/2	1/2	1/2
SPECIAL	Compound						

ISOLATOR BODY MATERIAL 3	
PVC	P
POLYPROPYLENE	PP
CPVC	CP
PTFE	T
Kynar® PVDF	K
316 SS	S
ALLOY 20	A
HASTELLOY C276	H

DIAPHRAGM MATERIAL 4	
VITON	V
EPDM	E
PTFE	T

OPTIONS 5	
STANDARD GAUGE	
ALL 316 STAINLESS STEEL GAUGE	SS
CENTER BACK MOUNT GAUGE	B
HALOCARBON	H
SILICONE	S
MINERAL OIL	M



Material:	PVC	CPVC	PP	PVDF	METAL
Maximum Pressure:	150 psi	150 psi	150 psi	150 psi	350 psi
Maximum Temperature:	140 °F	195 °F	195 °F	300 °F	300 °F

FLOMOTION SYSTEMS Inc.
 165 Creekside Drive, Suite 112
 Buffalo, NY 14228
 Tel: 716-691-3941
 Fax: 716-691-1253
 Email: info@flomotionsystems.com
 www.flomotionsystems.com

