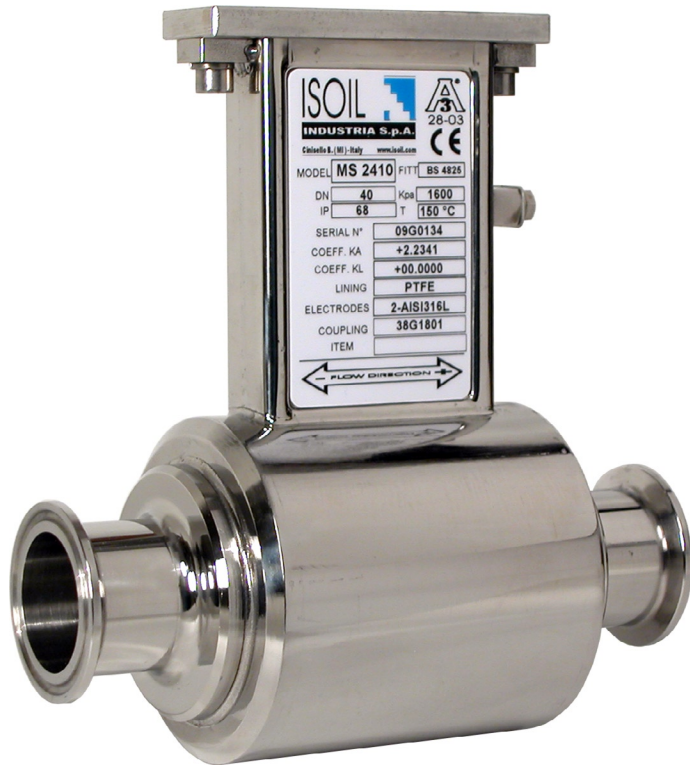


# MS2410

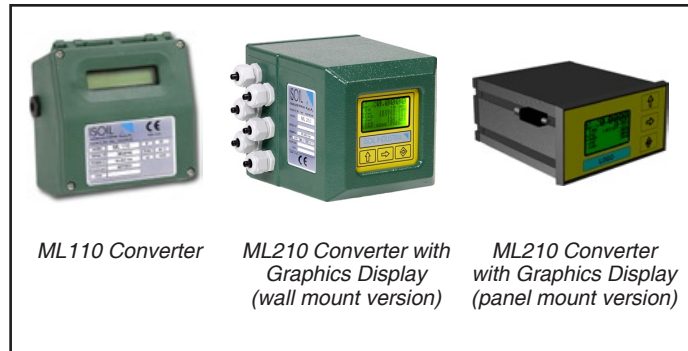
## ELECTROMAGNETIC FLOWMETERS

Reliable, High Accuracy Flowmeter  
for Food, Beverage and Pharmaceutical Applications



### TYPICAL APPLICATIONS

- Cosmetics
- Juices
- Ketchup
- Milks
- Yogurt
- Water
- Wines
- Flavorings
- Soups
- Ice Cream Mixes



ML110 Converter

ML210 Converter with Graphics Display (wall mount version)

ML210 Converter with Graphics Display (panel mount version)

The fully submersible M2410 includes tri-clamp fittings and PTFE liner for fast efficient cleaning. Rated for 3A sanitary approval.



### MS2410 FEATURES

- Accuracy to  $\pm 0.2\%$  of rate from 1 to 33 ft/sec.
- Ten sizes from 1/8" to 4" pipe diameters.
- Flow ranges from .03 to 1246 GPM.
- Standard Pressure: 230 PSI.
- Volumetric flow rate measurement independent of fluid viscosity, density and temperature.
- Bi-directional flow measurement.
- No moving parts for zero maintenance.
- No pressure drop through sensor.
- Minimal straight pipe run required.
- Suitable for vacuum service applications.
- Every sensor is factory wet-calibrated.

### CONTROLLER FEATURES

	ML110	ML210
Mounting	Sensor or Wall	Sensor, Wall or Panel
Keypad	3 Internal Keys	3 Keys
LCD Display	2-Line Alphanumeric	Graphic Display
Backlight	N	Y
4-20mA Output	Y (opt)	Y
Pulse/Frequency/Alarm Output	2 Assignable Open Collector	2 Assignable
Empty Pipe Detection	Y	Y
Interface	PC, Hand Terminal	RS485, PC, Hand Terminal
Batch Function	N	Y
Power Supply	90-265 VAC (Std.) 10-63VDC 15-45VAC	90-265 VAC 10-35VDC 18-63VDC/ 15-45VAC
Enclosure	Plastic NEMA 4x	Aluminum or Plastic (panel version) NEMA 6

ELECTROMAGNETIC FLOWMETER

# ENGINEERING SPECIFICATIONS

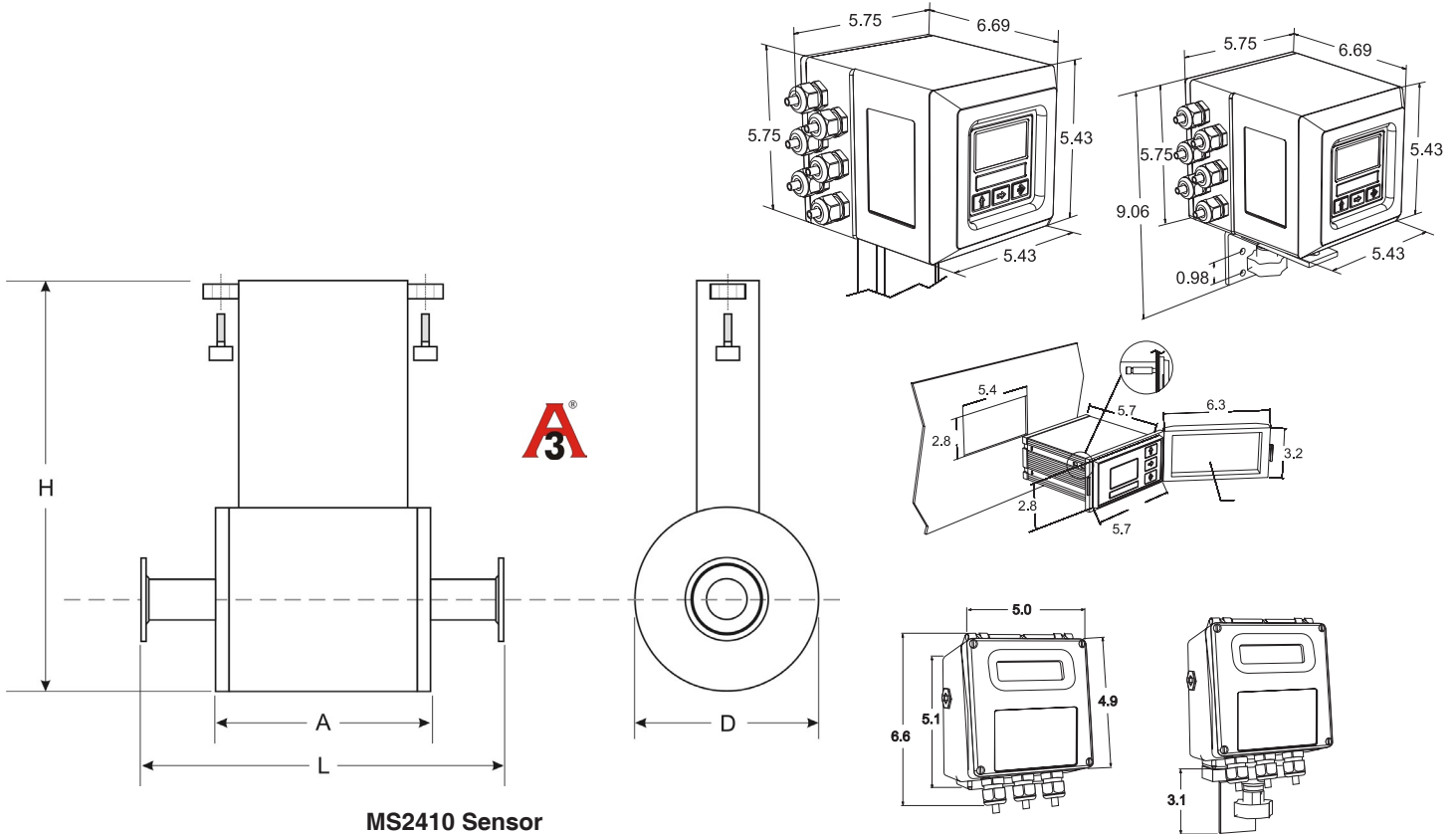
## MS2410 Flow Sensor

- Accuracy:
  - ML210:  $\pm 0.2\%$  of rate from 1 to 33 ft/sec.
  - ML110:  $\pm 0.4\%$  of rate from 1 to 33 ft/sec.
- Linearity:  $\pm 0.10\%$  of span
- Pressure: 230 PSI with Tri-Clamp connections
- Liner Material: PTFE
- Housing Material: Stainless steel
- Electrode material: 316 S.S.\*
- Number of electrodes: 2
- Temperature: Process 300°F with remote converter
- Environmental Rating: NEMA 6
- Fluid Conductivity: 5  $\mu\text{S/cm}$  (min)

\* Hastelloy C, Platinum-Rhodium or Tantalum electrodes optional (other upon request).

Size (in.)	Sensor Size (I.D. below)									
	1/8	1/4	3/8	1/2	3/4	1	1-1/2	2	3	4
Min flow rate (gpm @ 1 ft/sec)	0.034	0.14	0.38	0.85	1.52	2.37	6.08	9.49	24.30	37.97
Max flow rate (gpm @ 33 ft/sec)	1.12	4.49	12.46	28.03	49.84	77.9	199.3	311.5	797.4	1246
Length (L below)	5.04	5.04	5.04	5.04	5.04	7.09	7.09	7.09	7.87	7.87
Height (H below)	6.96	6.96	6.96	6.96	6.96	6.69	7.48	8.19	9.21	9.21
Body Diameter (D below)	2.99	2.99	2.99	2.99	2.99	2.99	3.50	4.88	5.51	6.61
Body Length (A below)	3.03	3.03	3.03	3.03	3.03	3.94	3.94	3.94	3.94	3.94

## DIMENSIONS



FLOMOTION SYSTEMS Inc.  
 165 Creekside Drive, Suite 112  
 Buffalo NY 14228-2103  
 Tel: 800-909-FLOW (3569)  
 Tel: 716-691-3941  
 Fax: 716-691-1253  
 Email: info@flomotionsystems.com  
 www.flomotionsystems.com

