

# MS3780

ISOMAG 



**FLOMOTION**  
SYSTEMS

## INSERTION ELECTROMAGNETIC FLOWMETERS

Combines reliable full-pipe flow measurement with low-cost and ease of installation.

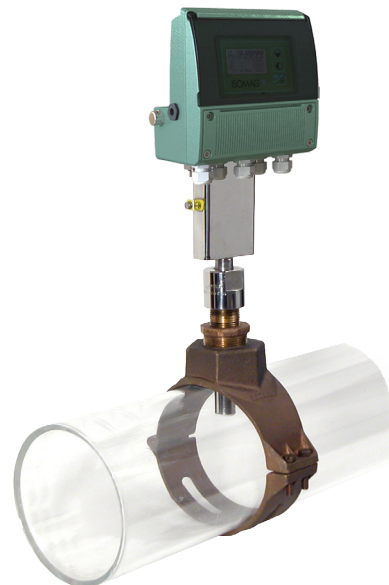


### TYPICAL APPLICATIONS

- Water
- Polymers
- Wastewater
- Lime Slurries
- Dyes
- Process Chemicals
- Brine
- Caustics
- Slurries
- Acids
- Starches
- Paper Stock
- Concrete

### MS3780 FEATURES

- Accuracy to  $\pm 2.5\%$  of rate from 1 to 33 ft/sec.
- Three sizes for 3" to 80" Pipe Diameters
- Flow ranges from 25 to 500,000 GPM
- Standard pressure: 235 PSI
- Installs through standard 1" NPT connection
- Can be removed and reinstalled in non-pressurized lines
- Volumetric flow rate measurement independent of fluid viscosity, density and temperature
- No moving parts for zero maintenance
- Bi-directional flow measurement
- Every sensor is factory wet-calibrated



*MS3780 sensor installation with an MV110 Converter.*

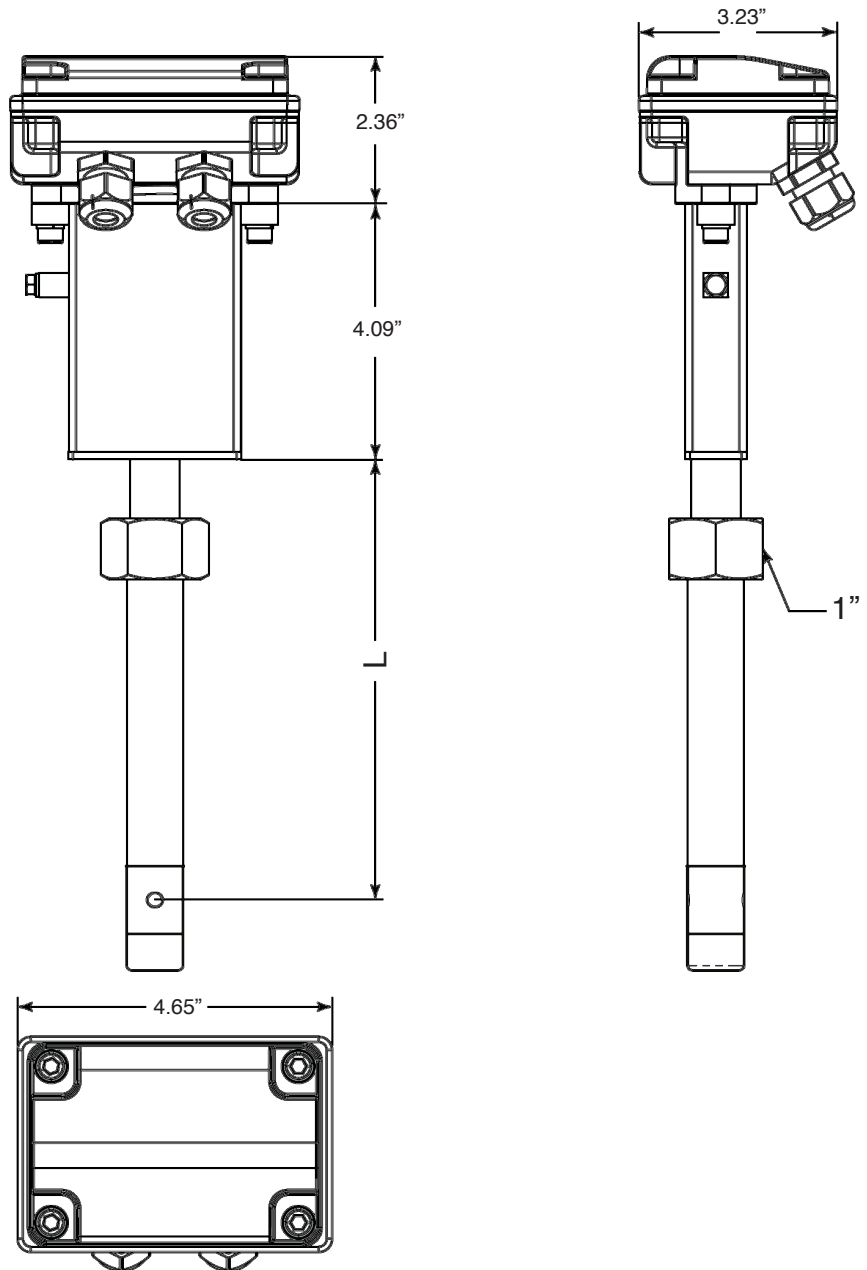
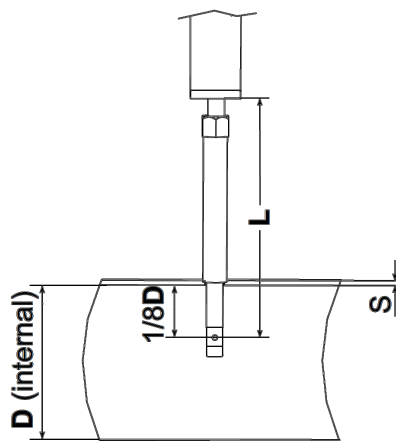
**ELECTROMAGNETIC FLOWMETER**

# FLOMOTION MS3780 ENGINEERING SPECIFICATIONS

- Accuracy: See relevant converter data sheet
- Repeatability:  $\pm 0.5\%$
- Temperature (Process)
  - 4 to 212°F (PTFE Compact)
  - 4 to 302°F (PTFE Remote)
- Pressure: 235 PSI (850 PSI rating is optional)
- Environmental Rating: NEMA 6
- Fluid Conductivity: 5  $\mu\text{S}/\text{cm}$  (min)
- Process Connection: 1" threaded end
- Sensor material: AISI316, PEEK lining, electrodes in Hastelloy C276, FKM gasket and AISI304 neck

## AVAILABLE SIZES AND DIMENSIONS

Size	PIPE ID RANGE	L
Size 1	3 to 20"	6.9"
Size 2	3 to 40"	9.6"
Size 3	3 to 80"	18.2"



### FLOMOTION SYSTEMS Inc.

165 Creekside Drive, Suite 112

Buffalo NY 14228

Tel: 716-691-3941

Fax: 716-691-1253

Email: [info@FlomotionSystems.com](mailto:info@FlomotionSystems.com)

[www.FlomotionSystems.com](http://www.FlomotionSystems.com)

