

MS501

ELECTROMAGNETIC FLOWMETERS

Reliable full-pipe flow measurement with high accuracy, ease of installation and low operating cost



The MS501 comes with a PTFE liner and local or remote mounted converter.

MS501 FEATURES

- Accuracy to $\pm 0.2\%$ of rate from 1 to 33 ft/sec.
- Lower cost than flanged units.
- Five sizes from 1/8" to 3/4" Pipe Diameters.
- Flow ranges from .03 to 49.8 GPM.
- Standard pressure: 230 PSI.
- Volumetric flow rate measurement independent of fluid viscosity, density and temperature.
- No moving parts for zero maintenance.
- Wide range of process connection types; threaded, flanged, tri-clamp or compression.
- Bi-directional flow measurement.
- No pressure drop through sensor.
- Minimal straight pipe run required.
- Every sensor is factory wet-calibrated.

TYPICAL APPLICATIONS

- Syrups
- Milk
- Fruit Juices
- Beer
- Salad Dressings
- Tomato Pastes
- Ketchup
- Yogurt
- Wines
- Jellies
- Preserves
- Ice Cream Mix
- Gravies
- Flavorings
- Vinegar
- Mayonnaise
- Soups
- Whey
- Meat Batters
- Specialty Chemicals
- Polymers
- Adhesives
- Fragrances
- Color & Dyes



ML110 Converter

ML210 Converter with Graphics Display (wall mount version)

ML210 Converter with Graphics Display (panel mount version)

CONTROLLER FEATURES

	ML110	ML210
Mounting	Sensor or Wall	Sensor, Wall or Panel
Keypad	3 Internal Keys	3 Keys
LCD Display	2-Line Alphanumeric	Graphic Display
Backlight	N	Y
4-20mA Output	Y (opt)	Y
Pulse/Frequency/Alarm Output	2 Assignable Open Collector	2 Assignable
Empty Pipe Detection	Y	Y
Interface	PC, Hand Terminal	RS485, PC, Hand Terminal
Batch Function	N	Y
Power Supply	90-265 VAC (Std.) 10-63VDC 15-45VAC	90-265 VAC 10-35VDC 18-63VDC/ 15-45VAC
Enclosure	Plastic NEMA 4x	Aluminum or Plastic (panel version). NEMA 6

ELECTROMAGNETIC FLOWMETER

ENGINEERING SPECIFICATIONS

MS501 Flow Sensor

· Accuracy:

ML210: ±0.2% of rate from 1 to 33 ft/sec.

ML110: ±0.4% of rate from 1 to 33 ft/sec.

· Repeatability: ±0.1%

· Temperature:

Process: -4 to 212 °F

Ambient: 140 °F

· Pressure: 230 PSI (higher pressures upon request)

· Liner Material: PTFE

· Flow Tube: 304 S.S.

· Body Material: 304 S.S.

· Process Connections & Electrode Material: 316 S.S.*

· Number of Electrodes: 2

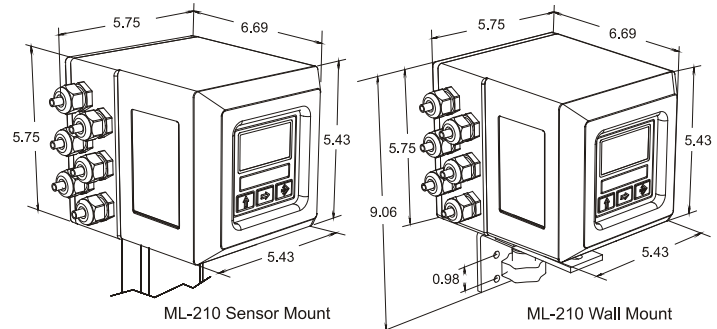
· Environmental Rating: NEMA 4X

· Fluid Conductivity: 5 µS/cm (min)

* Hastelloy C, Platinum-Rhodium or Tantalum optional (other materials on request)

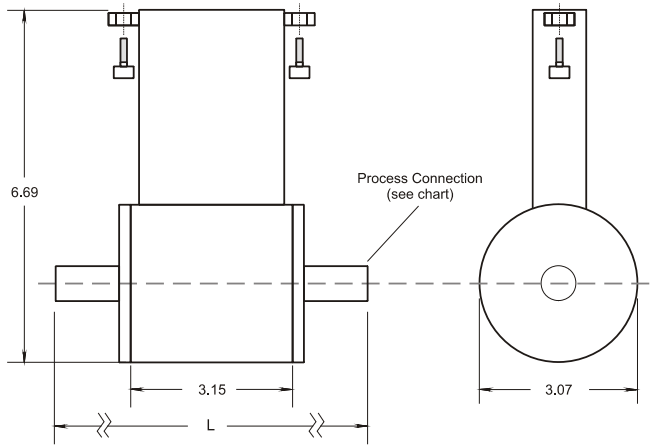
Characteristic/Dimension	Sensor Size				
	1/8"	1/4"	3/8"	1/2"	3/4"
Min flow rate (gpm @ 1 ft/sec)	0.034	0.14	0.38	0.85	1.52
Max flow rate (gpm @ 33 ft/sec)	1.12	4.49	12.46	28.03	49.84
Weight (lbs.)	4.85	4.85	4.85	4.85	4.85
Length (L below) w/Tri-Clamp Fittings	5.02	5.02	5.02	5.02	5.02
Length (L below) w/NPT Fittings	4.72	4.72	4.72	4.72	4.72
Fittings (NPT)	1/4"	3/8"	1/2"	3/4"	1"

DIMENSIONS

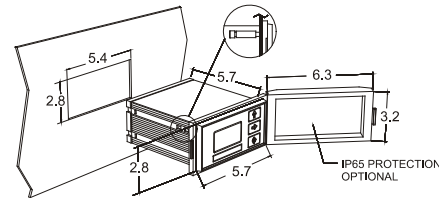


ML-210 Sensor Mount

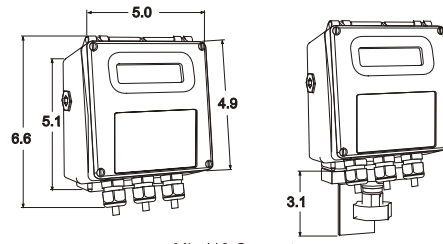
ML-210 Wall Mount



MS501 Sensor



ML-210 Panel Mount



ML-110 Converter

FLOMOTION SYSTEMS Inc.

165 Creekside Drive, Suite 112

Buffalo NY 14228-2103

Tel: 800-909-FLOW (3569)

Tel: 716-691-3941

Fax: 716-691-1253

Email: info@fломotionsystems.com

www.fломotionsystems.com

