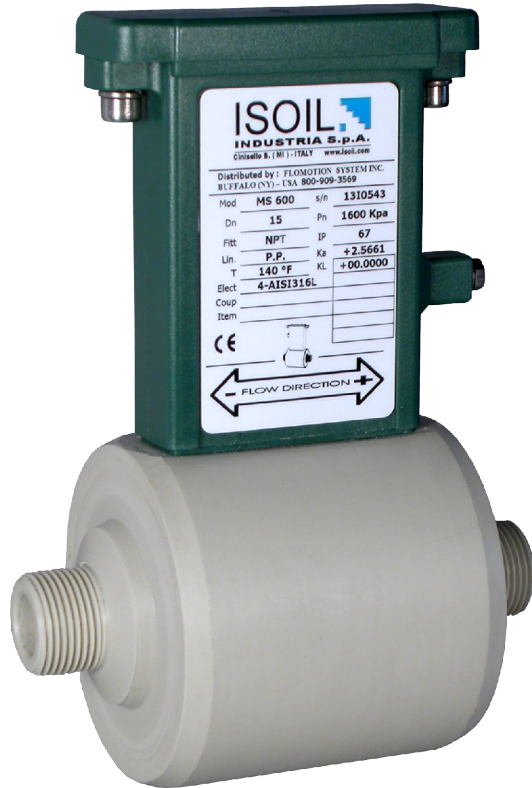


MS600

ELECTROMAGNETIC FLOWMETERS

Reliable full-pipe flow measurement with high accuracy, ease of installation and low cost



TYPICAL APPLICATIONS

- Process Chemicals
- Polymers
- Wastewater
- Lime Slurries
- Dyes
- Admixtures
- Acids
- Caustics
- Slurries
- Water
- Starches



The economical, all-plastic MS600 can be equipped with a local or remote mounted converter.

MS600 FEATURES

- Low Cost
- Accuracy to $\pm 0.2\%$ of rate from 1 to 33 ft/sec.
- Five sizes from 1/8" to 3/4" Pipe Diameters.
- Flow ranges from .03 to 49.8 GPM.
- Standard pressure: 230 PSI.
- Volumetric flow rate measurement independent of fluid viscosity, density and temperature.
- No moving parts for zero maintenance.
- Bi-directional flow measurement.
- No pressure drop through sensor.
- Minimal straight pipe run required.
- Every sensor is factory wet-calibrated.

CONTROLLER FEATURES

	ML110	ML210
Mounting	Sensor or Wall	Sensor, Wall or Panel
Keypad	3 Internal Keys	3 Keys
LCD Display	2-Line Alphanumeric	Graphic Display
Backlight	N	Y
4-20mA Output	Y (opt)	Y
Pulse/Frequency/ Alarm Output	2 Assignable Open Collector	2 Assignable
Empty Pipe Detection	Y	Y
Interface	PC, Hand Terminal	RS485, PC, Hand Terminal
Batch Function	N	Y
Power Supply	90-265 VAC (Std.) 10-63VDC 15-45VAC	90-265 VAC 10-35VDC 18-63VDC/ 15-45VAC
Enclosure	Plastic NEMA 4x	Aluminum or Plastic (panel version). NEMA 6

ELECTROMAGNETIC FLOWMETER

ENGINEERING SPECIFICATIONS

MS600 Flow Sensor

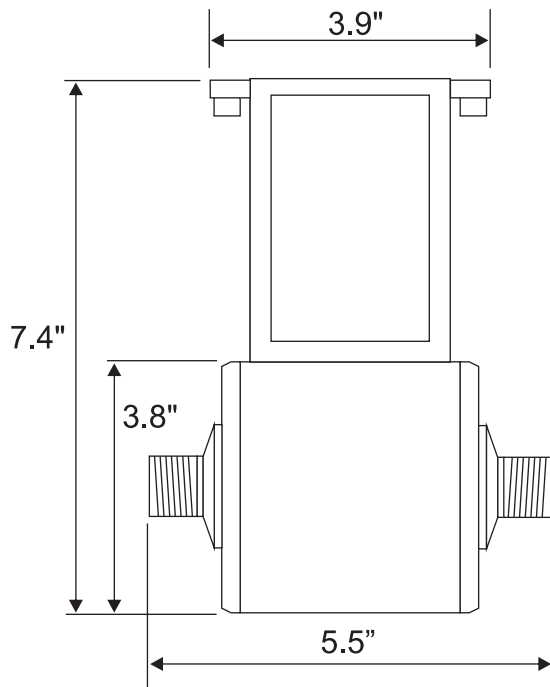
- Accuracy: $\pm 0.2\%$ of rate from 1 to 33 ft/sec.
- Repeatability: $\pm 0.2\%$
- Temperature: Process: 32 to 140 °F
- Pressure: 230 PSI (higher pressures upon request)

- Liner Material: Polypropylene
- Body Material: Polypropylene
- Number of Electrodes: 3 (2 Flow, 1 Ground)
- Environmental Rating: NEMA 4X
- Fluid Conductivity: 5 $\mu\text{S}/\text{cm}$ (min)
- Electrode Material: 316 S.S. (Hastelloy C, Titanium, Tantalum or Platinum are optional)

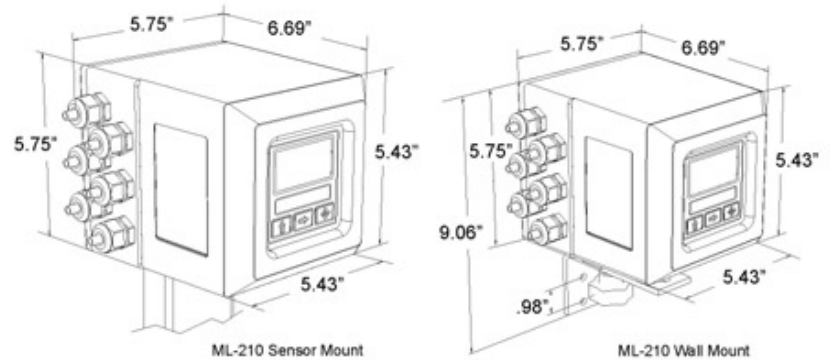
* Hastelloy C, Platinum-Rhodium or Tantalum optional (other materials on request)

Characteristic/Dimension	Sensor Size				
	1/8"	1/4"	3/8"	1/2"	3/4"
Min flow rate (gpm @ 1 ft/sec)	.034	0.14	0.38	0.85	1.52
Max flow rate (gpm @ 33 ft/sec)	1.12	4.49	12.46	28.03	49.84
Weight (lbs.)	4.85	4.85	4.85	4.85	4.85
Fittings (NPT)	1/4"	3/8"	1/2"	3/4"	1"

DIMENSIONS

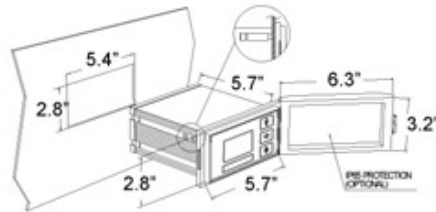


MS600 Sensor

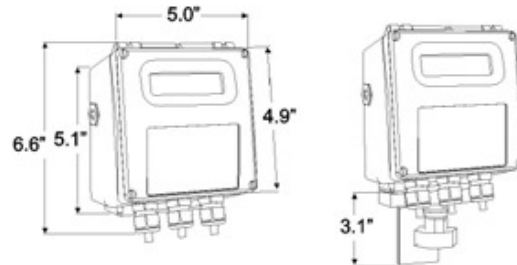


ML-210 Sensor Mount

ML-210 Wall Mount



ML-210 Panel Mount



ML-110 Converter

FLOMOTION SYSTEMS Inc.

165 Creekside Drive, Suite 112
 Buffalo NY 14228-2103
 Tel: 800-909-FLOW (3569)
 Tel: 716-691-3941
 Fax: 716-691-1253
 Email: info@flomotionsystems.com
www.flomotionsystems.com

