

PD6300 Pulse Input Rate/Totalizer Instruction Manual



PROVU[®]
SERIES



- Pulse, Open Collector, NPN, PNP, TTL, Switch Contact, Sine Wave (Coil), Square Wave Inputs
- Gate Function for Rate Display of Slow Pulse Rates
- NEMA 4X, IP65 Front
- Universal 85-265 VAC, or 12/24 VDC Input Power Models
- Large Dual-Line 6-Digit Display, 0.60" & 0.46"
- Isolated 24 VDC @ 200 mA Transmitter Power Supply
- Programmable Displays & Function Keys
- Rate Displayed as Units per Second, Minute, Hour, or Day
- Total, Grand Total or Non-Resetable Grand Total
- 9-Digit Totalizer with Total Overflow Feature
- K-Factor Calibration or Scale with up to 32-Point Linearization
- 2 or 4 Relays + Isolated 4-20 mA Output for Rate or Total
- External 4-Relays & Digital I/O Expansion Modules
- RS-232 & RS-422/485 Serial Communication Options
- Modbus[®] RTU Communication Protocol Standard
- Free MeterView[®] Pro Software

PRECISION DIGITAL CORPORATION
89 October Hill Road • Holliston MA 01746 USA
Tel (800) 343-1001 • Fax (508) 655-8990

**PRECISION
DIGITAL** 
www.predig.com

Disclaimer

The information contained in this document is subject to change without notice. Precision Digital makes no representations or warranties with respect to the contents hereof; and specifically disclaims any implied warranties of merchantability or fitness for a particular purpose.



CAUTION: Read complete instructions prior to installation and operation of the meter.



WARNING: Risk of electric shock or personal injury.



Warning

This product is not recommended for life support applications or applications where malfunctioning could result in personal injury or property loss. Anyone using this product for such applications does so at his/her own risk. Precision Digital Corporation shall not be held liable for damages resulting from such improper use.

Limited Warranty

Precision Digital Corporation warrants this product against defects in material or workmanship for the specified period under "Specifications" from the date of shipment from the factory. Precision Digital's liability under this limited warranty shall not exceed the purchase value, repair, or replacement of the defective unit.

Registered Trademarks

PROVu[®] and MeterView[®] Pro are registered trademarks of Precision Digital Corporation. All other trademarks mentioned in this document are the property of their respective owners.

© 2011 Precision Digital Corporation. All rights reserved.

www.predig.com

Table of Contents

| | |
|---|-----------|
| INTRODUCTION | 7 |
| ORDERING INFORMATION | 8 |
| SPECIFICATIONS | 9 |
| General | 9 |
| Rate Input | 10 |
| Rate/Totalizer | 11 |
| Relays | 12 |
| Isolated 4-20 mA Transmitter Output | 13 |
| Modbus® RTU Serial Communications | 14 |
| PDA1044 Digital Input & Output Expansion Module | 14 |
| COMPLIANCE INFORMATION | 15 |
| Safety | 15 |
| Electromagnetic Compatibility | 15 |
| SAFETY INFORMATION | 16 |
| INSTALLATION | 17 |
| Unpacking | 17 |
| Panel Mounting Instructions | 17 |
| Configuration for 12 or 24 VDC Power Option | 19 |
| Transmitter Supply Voltage Selection (P+, P-) | 20 |
| Connections | 20 |
| Connectors Labeling | 21 |
| Power Connections | 21 |
| Signal Connections | 22 |
| Modbus RTU Serial Communications | 24 |
| Relay Connections | 24 |
| Switching Inductive Loads | 25 |
| 4-20 mA Output Connections | 26 |
| Analog Output Transmitter Power Supply | 26 |
| External Relay & Digital I/O Connections | 27 |
| Interlock Relay Feature | 28 |
| SETUP AND PROGRAMMING | 29 |
| Front Panel Buttons and Status LED Indicators | 30 |
| Display Functions and Messages | 31 |
| Main Menu | 35 |
| Setting Numeric Values | 36 |
| Reset Menu (rESEt) | 36 |
| Control Menu (Contrl) | 36 |

| | |
|--|-----------|
| Setting Up the Rate/Totalizer Meter (SEtUP) | 37 |
| Setting the Input Signal (<i>inPULt</i>) | 38 |
| Setting the Totalizer Features (<i>totRL</i>) | 38 |
| Setting the Decimal Point (<i>dEc Pt</i>) | 38 |
| Programming the Rate/Totalizer (<i>PRoG</i>) | 39 |
| K-Factor Calibration (<i>FRcLor</i>) | 40 |
| Multi-Point Calibration & Scaling | 40 |
| MeterView® Pro Software | 41 |
| Scaling the Meter (<i>ScALe</i>) | 42 |
| Gate Function (<i>GRLtE</i>) | 43 |
| Contact De-Bounce Filter (<i>FILtEr</i>) | 44 |
| Time Base, Total Conversion Factor & Total Reset | 45 |
| Calibrating the Meter with External Source (<i>CRl</i>) | 46 |
| Setting the Display Parameter & Intensity (<i>dSPLRy</i>) | 47 |
| Display Setup Menu | 48 |
| Character Set for Engineering Units Display (<i>d un it</i>) | 49 |
| Setting the Relay Operation (rELAY) | 50 |
| Relay Assignment (<i>R55 in</i>) | 51 |
| Setting the Relay Action | 52 |
| Programming Set and Reset Points | 53 |
| Setting Fail-Safe Operation | 53 |
| Programming Time Delay | 53 |
| Relay and Alarm Operation Diagrams | 54 |
| High Alarm Operation (Set > Reset) | 54 |
| Low Alarm Operation (Set < Reset) | 55 |
| High Alarm with Fail-Safe Operation (Set > Reset) | 56 |
| Low Alarm with Fail-Safe Operation (Set < Reset) | 57 |
| Alternation Control Operation | 58 |
| Rate Relay Sampling Operation | 59 |
| Total Relay Sampling Operation | 59 |
| Time Delay Operation | 60 |
| Relay Operation Details | 61 |
| Overview | 61 |
| Relays Auto Initialization | 61 |
| Fail-Safe Operation | 61 |
| Front Panel LEDs | 62 |
| Latching and Non-Latching Relay Operation | 62 |
| Non-Latching Relay (<i>RULtO</i>) | 63 |
| Non-Latching Relay (<i>R-nrRn</i>) | 63 |
| Latching Relay (<i>LRLtH</i>) | 63 |
| Latching Relay (<i>Lt - CLR</i>) | 64 |
| Acknowledging Relays | 64 |
| Setting Up the Interlock Relay (Force On) Feature | 65 |

| Model PD6300 Pulse Input Rate/Totalizer | Instruction Manual |
|---|---------------------------|
| Scaling the 4-20 mA Analog Output (R_{out}) | 66 |
| Setting Up the Password (P₅₅) | 67 |
| Protecting or Locking the Meter | 67 |
| Total Reset Password & Non-Resettable Total | 68 |
| Making Changes to a Password Protected Meter | 69 |
| Disabling Password Protection | 69 |
| Advanced Features Menu | 70 |
| Advanced Features Menu & Display Messages | 71 |
| Modbus RTU Serial Communications (S _{Er} i _{RL}) | 74 |
| Select Menu (S _{EL} E _{CT}) | 75 |
| Signal Input Conditioning (F _{un} C _{EN}) | 75 |
| Multi-Point Linearization (L _{in} E _{AR}) | 76 |
| Low-Flow Cutoff (L _u E _o F _F) | 77 |
| Analog Output Programming (R _o u _t P _r) | 77 |
| Programmable Function Keys User Menu (u _S E _r) | 78 |
| Meter Copy Function (C _o P _y) | 79 |
| METER OPERATION | 81 |
| Front Panel Buttons Operation | 81 |
| Function Keys Operation | 81 |
| Maximum/Minimum Readings | 82 |
| TROUBLESHOOTING | 83 |
| Diagnos^tics Menu (d i_{AG}) | 83 |
| Determining Software Version | 83 |
| Reset Meter to Factory Defaults | 84 |
| Factory Defaults & User Settings | 85 |
| Troubleshooting Tips | 88 |
| Alphabetical List of Display Functions & Messages | 89 |

Table of Figures

| | |
|---|----|
| Figure 1: 1/8 DIN Panel Cutout and Mounting..... | 17 |
| Figure 2: Meter Dimensions - Side View..... | 18 |
| Figure 3: Meter Dimensions - Top View..... | 18 |
| Figure 4: Jumper Configuration for 12/24 VDC Power | 19 |
| Figure 5: Transmitter Supply Voltage Selection..... | 20 |
| Figure 6: Connector Labeling for Fully Loaded PD6300 | 21 |
| Figure 7: Power Connections..... | 21 |
| Figure 8: Flowmeter Powered by Internal Power Supply..... | 22 |
| Figure 9: Flowmeter Powered by External Supply | 22 |
| Figure 10: Self-Powered Magnetic Pickup Coil Flowmeter | 22 |
| Figure 11: Relay Connections | 24 |
| Figure 12: AC and DC Loads Protection | 25 |
| Figure 13: Low Voltage DC Loads Protection..... | 25 |
| Figure 14: 4-20 mA Output Connections | 26 |
| Figure 15: Expansion Modules & DIN Rail Mounting Kit..... | 27 |
| Figure 16: External Relays Module Connections | 27 |
| Figure 17: Digital I/O Module Connections | 28 |
| Figure 18: Interlock Connections..... | 28 |
| Figure 19: Acknowledge Relays w/Function Key or Digital Input ... | 64 |
| Figure 20: Meter Copy Connection | 79 |
| Figure 21: 1/8 DIN Panel Cutout Template | 95 |

INTRODUCTION

The ProVu® PD6300 is a multipurpose, easy to use pulse rate/totalizer ideal for flow rate, total, and control applications. It accepts pulse (e.g. ± 40 mV to ± 8 V), square wave (0-5 V, 0-12 V, or 0-24 V), open collector, NPN, PNP, TTL or switch contact signals. Three of the front panel buttons can be custom-programmed for specific operation.

The basic model includes an isolated 24 VDC transmitter power supply that can be used to power the input transmitter or other devices. An additional isolated 24 VDC power supply is included with the 4-20 mA output option.

A fully loaded PD6300 pulse rate/totalizer meter has the following: four SPDT relays, 4-20 mA output, and two 24 VDC power supplies. The PD6300 capabilities may be enhanced by adding the following external expansion modules: four SPST relays (creating an eight-relay rate/totalizer), two digital I/O modules with four inputs and four outputs each, and RS-232 or RS-485 communication adapters.

The eight relays can be used for alarm indication or process control applications. The 4-20 mA isolated output, Modbus RTU serial communications, and digital I/O options make the PD6300 an excellent addition to any system.

ORDERING INFORMATION

Standard Models

| 85-265 VAC Model | 12/24 VDC Model | Options Installed |
|--|-----------------|-------------------------------------|
| PD6300-6R0 | PD6300-7R0 | No options |
| PD6300-6R2 | PD6300-7R2 | 2 relays (PD1102*) |
| PD6300-6R3 | PD6300-7R3 | 4-20 mA output (PD1103*) |
| PD6300-6R4 | PD6300-7R4 | 4 relays (PD1104*) |
| PD6300-6R5 | PD6300-7R5 | 2 relays & 4-20 mA output (PD1105*) |
| PD6300-6R7 | PD6300-7R7 | 4 relays & 4-20 mA output (PD1107*) |
| *Model number for replacement option card. | | |

SunBright Display Models

| 85-265 VAC Model | 12/24 VDC Model | Options Installed |
|--|-----------------|-------------------------------------|
| PD6300-6H0 | PD6300-7H0 | No options |
| PD6300-6H2 | PD6300-7H2 | 2 relays (PD1102*) |
| PD6300-6H3 | PD6300-7H3 | 4-20 mA output (PD1103*) |
| PD6300-6H4 | PD6300-7H4 | 4 relays (PD1104*) |
| PD6300-6H5 | PD6300-7H5 | 2 relays & 4-20 mA output (PD1105*) |
| PD6300-6H7 | PD6300-7H7 | 4 relays & 4-20 mA output (PD1107*) |
| *Model number for replacement option card. | | |

Accessories

| Model | Description |
|-----------|---|
| PDA1002 | DIN-Rail mounting kit for two expansion modules |
| PDA1004 | 4 SPST (Form A) relays |
| PDA1044 | 4 digital inputs & 4 digital outputs (2 may be connected) |
| PDA1200 | Meter copy cable |
| PDA1232 | RS-232 serial adapter |
| PDA1485 | RS-422/485 serial adapter |
| PDA7485-I | RS-232 to RS-422/485 isolated converter |
| PDA8008 | USB serial adapter |
| PDA8232-N | USB to RS-232 non-isolated converter |
| PDA8485-I | USB to RS-422/485 isolated converter |
| PDA2811 | 1 Meter Plastic NEMA 4X Enclosure |
| PDA2812 | 2 Meter Plastic NEMA 4X Enclosure |
| PDX6901 | Suppressor (snubber): 0.01 μ F/470 Ω , 250 VAC |

SPECIFICATIONS

Except where noted all specifications apply to operation at +25°C.

General

| | |
|--|---|
| DISPLAY | Main display: 0.6" (15 mm) high, red LEDs Second display: 0.46" (12 mm) high, red LEDs 6 digits: each (-99999 to 999999), with lead zero blanking. |
| DISPLAY INTENSITY | Eight user selectable intensity levels |
| DISPLAY UPDATE RATE | Rate: 10 per second; up to 1 per 100 seconds (and is a function of Low Gate setting) Total: 10 per second (fixed) |
| OVERRANGE | Display flashes 999999 |
| DISPLAY ASSIGNMENT | The main (Big) and small (Little) displays may be assigned to rate, total, grand total, alternate rate & total, max/min, units (small display only), set points, and Modbus input. |
| PROGRAMMING METHODS | Four front panel buttons, digital inputs, PC and MeterView Pro software, Modbus registers, or cloning using Copy function. |
| RECALIBRATION | All ranges are calibrated at the factory to read frequency in Hz. No recalibration required. |
| MAX/MIN DISPLAY | Max/min readings reached by the process are stored until reset by the user or until power to the meter is turned off. |
| PASSWORD | Three programmable passwords restrict modification of programmed settings and two prevent resetting the totals. Pass 1: Allows use of function keys and digital inputs Pass 2: Allows use of function keys, digital inputs and editing set/reset points Pass 3: Restricts all programming, function keys, and digital inputs. Total: Prevents resetting the total manually Gtotal: Prevents resetting the grand total manually |
| NON-VOLATILE MEMORY | All programmed settings are stored in non-volatile memory for a minimum of ten years if power is lost. |
| POWER OPTIONS | 85-265 VAC 50/60 Hz, 90-265 VDC, 20 W max or jumper selectable 12/24 VDC \pm 10%, 15 W max |
| FUSE | Required external fuse: UL Recognized, 5 A max, slow blow; up to 6 meters may share one 5 A fuse |
| ISOLATED TRANSMITTER POWER SUPPLY | Terminals P+ & P-: 24 VDC \pm 10% @ 200 mA max (standard), (12/24 VDC powered models rated @ 100 mA max). 5 or 10 VDC @ 50 mA max, selectable with internal jumper J4. |
| ISOLATION | 4 kV input/output-to-power line 500 V input-to-output or output-to-P+ supply |

| | |
|-----------------------------|---|
| OVERVOLTAGE CATEGORY | Installation Overvoltage Category II: Local level with smaller transient overvoltages than Installation Overvoltage Category III. |
| ENVIRONMENTAL | Operating temperature range: -40 to 65°C Storage temperature range: -40 to 85°C Relative humidity: 0 to 90% non-condensing |
| CONNECTIONS | Removable screw terminal blocks accept 12 to 22 AWG wire, RJ45 for external relays, digital I/O, and serial communication adapters. |
| ENCLOSURE | 1/8 DIN, high impact plastic, UL 94V-0, color: black |
| MOUNTING | 1/8 DIN panel cutout required: 3.622" x 1.772" (92 mm x 45 mm) Two panel mounting bracket assemblies are provided. |
| TIGHTENING TORQUE | Screw terminal connectors: 5 lb-in (0.56 Nm) |
| OVERALL DIMENSIONS | 4.68" x 2.45" x 5.64" (119 mm x 62 mm x 143 mm) (W x H x D) |
| WEIGHT | 9.5 oz (269 g) |
| WARRANTY | 3 years parts & labor |


Rate Input

| | |
|--|---|
| INPUTS | Field selectable: Pulse or square wave 0-5 V, 0-12 V, or 0-24 V @ 30 kHz; TTL; open collector 4.7 k Ω pull-up to 5 V @ 30 kHz; NPN or PNP transistor, switch contact 4.7 k Ω pull-up to 5 V @ 40 Hz; Modbus PV (Slave) |
| LOW VOLTAGE MAG PICKUP (Isolated) | Sensitivity: 40 mVp-p to 8Vp-p |
| MINIMUM INPUT FREQUENCY | 0.001 Hz Minimum frequency is dependent on high gate setting. |
| MAXIMUM INPUT FREQUENCY | 30,000 Hz (10,000 for low voltage mag pickup) |
| INPUT IMPEDANCE | Pulse input: Greater than 300 k Ω @ 1 kHz. Open collector/switch input: 4.7 k Ω pull-up to 5 V. |
| ACCURACY | $\pm 0.03\%$ of calibrated span ± 1 count |
| TEMPERATURE DRIFT | Rate display is not affected by changes in temperature. |
| MULTI-POINT LINEARIZATION | 2 to 32 points |
| LOW-FLOW CUTOFF | 0-999999 (0 disables cutoff function) |

| | |
|--------------------------|--|
| DECIMAL POINT | Up to five decimal places or none: <i>d.dddddd, d.ddddd, d.dddd, d.dd, d.d, or dddddd</i> |
| CALIBRATION | May be calibrated using K-factor, internal calibration, or by applying an external calibration signal. |
| K-FACTOR | Field programmable K-factor converts input pulses to rate in engineering units. May be programmed from 0.00001 to 999,999 pulses/unit. |
| CALIBRATION RANGE | Input 1 signal may be set anywhere in the range of the meter; input 2 signal may be set anywhere above or below input 1 setting. Minimum input span between any two inputs is 10 Hz. An Error message will appear if the input 1 and input 2 signals are too close together. |
| FILTER | Programmable contact de-bounce filter: 40 to 999 Hz maximum input frequency allowed with low speed filter. |
| TIME BASE | Second, minute, hour, or day |
| GATE | Low gate: 0.1-99.9 seconds High gate: 2.0-999.9 seconds |

Rate/Totalizer

| | |
|---|---|
| DISPLAY ASSIGNMENT | The main (Big) and small (Little) displays may be assigned to rate, total, grand total, alternate R & T, units, and set point. |
| RATE DISPLAY INDICATION | -99999 to 999999, lead zero blanking. "R" LED illuminates while displaying rate or frequency. |
| TOTAL DISPLAY & TOTAL OVERFLOW | 0 to 999,999; automatic lead zero blanking. "T" LED is illuminated while displaying total or grand total. Up to 999,999,999 with total-overflow feature. "OF" is displayed to the left of total overflow and ▲ LED is illuminated. |
| ALTERNATING DISPLAY | Either display may be programmed to alternate between rate and total or rate and grand total every 10 seconds. |
| TOTAL DECIMAL POINT | Up to five decimal places or none: <i>d.dddddd, d.ddddd, d.dddd, d.dd, d.d, or dddddd</i> Total decimal point is independent of rate decimal point. |
| TOTALIZER | Calculates total based on rate and field programmable multiplier to display total in engineering units. Time base must be selected according to the time units in which the rate is displayed. |
| TOTALIZER ROLLOVER | Totalizer rolls over when display exceeds 999,999,999. Relay status reflects display. |

| | |
|--------------------------------------|---|
| TOTAL OVERFLOW OVERRIDE | Program total reset for automatic with 0.1 second delay and set point 1 for 999,999 |
| TOTALIZER PRESETS | Up to eight, user selectable under setup menu. Any set point can be assigned to total and may be programmed anywhere in the range of the meter for total alarm indication. |
| PROGRAMMABLE DELAY ON RELEASE | 0.1 and 999.9 seconds; applied to the first relay assigned to total or grand total. If the meter is programmed to reset total to zero automatically when the preset is reached, then a delay will occur before the total is reset. |
| TOTAL RESET | Via front panel button, external contact closure on digital inputs, automatically via user selectable preset value and time delay, or through serial communications. |
| TOTAL RESET PASSWORD | Total and grand total passwords may be entered to prevent resetting the total or grand total from the front panel. |
| NON-RESETTABLE TOTAL | The grand total can be programmed as a non-resettable total by entering the password "050873". |
| |  <p>Caution! Once the Grand Total has been programmed as "non-resettable" the feature cannot be disabled.</p> |

Relays

| | |
|--------------------------|---|
| RATING | 2 or 4 SPDT (Form C) internal and/or 4 SPST (Form A) external; rated 3 A @ 30 VDC and 125/250 VAC resistive load; 1/14 HP (\approx 50 W) @ 125/250 VAC for inductive loads |
| NOISE SUPPRESSION | Noise suppression is recommended for each relay contact switching inductive loads; see page 25 for details. |
| RELAY ASSIGNMENT | Relays may be assigned to rate, total, or grand total. |
| DEADBAND | 0-100% of span, user programmable |
| HIGH OR LOW ALARM | User may program any alarm for high or low trip point. Unused alarm LEDs and relays may be disabled (turn off). |
| RELAY OPERATION | Automatic (non-latching) Latching (requires manual acknowledge) Sampling (based on time) Alternation control (2 to 8 relays) Off (disable unused relays and enable Interlock feature) Manual on/off control mode |

| | |
|----------------------------|--|
| RELAY RESET | User selectable via front panel buttons, digital inputs, or PC <ol style="list-style-type: none"> 1. Automatic reset only (non-latching), when the input passes the reset point or total is reset to zero. 2. Automatic + manual reset at any time (non-latching) 3. Manual reset only, at any time (latching) 4. Manual reset only after alarm condition has cleared (L) <p><i>Note: Front panel button or digital input may be assigned to acknowledge relays programmed for manual reset.</i></p> |
| TIME DELAY | 0 to 999.9 seconds, on & off relay time delays Programmable and independent for each relay. |
| FAIL-SAFE OPERATION | Programmable and independent for each relay. <i>Note: Relay coil is energized in non-alarm condition. In case of power failure, relay will go to alarm state.</i> |
| AUTO INITIALIZATION | When power is applied to the meter, relays will reflect the state of the input to the meter. |

Isolated 4-20 mA Transmitter Output

| | | | |
|--|--|--------------|---------------|
| OUTPUT SOURCE | Rate/process, total, grand total, max, min, set points 1-8, Modbus input or manual control mode | | |
| SCALING RANGE | 1.000 to 23.000 mA for any display range. | | |
| CALIBRATION | Factory calibrated: 0.0 to 1000.0 = 4-20 mA output | | |
| ANALOG OUT PROGRAMMING | 23.000 mA maximum for all parameters: Overrange, underrange, max, min, and break | | |
| ACCURACY | $\pm 0.1\% \text{ FS} \pm 0.004 \text{ mA}$ | | |
| TEMPERATURE DRIFT | 0.4 $\mu\text{A}/^\circ\text{C}$ max from 0 to 65°C ambient, 0.8 $\mu\text{A}/^\circ\text{C}$ max from -40 to 0°C ambient <i>Note: Analog output drift is separate from input drift.</i> | | |
| ISOLATED TRANSMITTER POWER SUPPLY | Terminals I+ & R: 24 VDC $\pm 10\%$ @ 40 mA maximum; may be used to power the 4-20 mA output or other devices. Refer to Figure 6 on page 21 and Figure 14 on page 26. | | |
| EXTERNAL LOOP POWER SUPPLY | 35 VDC maximum | | |
| OUTPUT LOOP RESISTANCE | Power supply | Minimum | Maximum |
| | 24 VDC | 10 Ω | 700 Ω |
| | 35 VDC (external) | 100 Ω | 1200 Ω |

Modbus[®] RTU Serial Communications

| | |
|-----------------------------|---|
| SLAVE ID | 1 – 247 (Meter address) |
| BAUD RATE | 300 - 19,200 bps |
| TRANSMIT TIME DELAY | Programmable between 0 and 199 ms or transmitter always on for RS-422 communication |
| DATA | 8 bit (1 start bit, 1 or 2 stop bits) |
| PARITY | Even, Odd, or None with 1 or 2 stop bits |
| BYTE-TO-BYTE TIMEOUT | 0.01 – 2.54 second |
| TURN AROUND DELAY | Less than 2 ms (fixed) |

Note: Refer to the PROVu[®] Modbus Register Tables located at www.predig.com for details.

PDA1044 Digital Input & Output Expansion Module

| | |
|----------------------------------|---|
| CHANNELS | 4 digital inputs & 4 digital outputs per module |
| SYSTEM | Up to 2 modules for a total of 8 inputs & 8 outputs |
| DIGITAL INPUT LOGIC HIGH | 3 to 5 VDC |
| DIGITAL INPUT LOGIC LOW | 0 to 1.25 VDC |
| DIGITAL OUTPUT LOGIC HIGH | 3.1 to 3.3 VDC |
| DIGITAL OUTPUT LOGIC LOW | 0 to 0.4 VDC |
| SOURCE CURRENT | 10 mA maximum output current |
| SINK CURRENT | 1.5 mA minimum input current |
| +5 V TERMINAL | To be used as pull-up for digital inputs only. Connect normally open contacts across +5 V & DI 1-4. |

COMPLIANCE INFORMATION

Safety

| | |
|------------------------------|---|
| UL & c-UL LISTED | USA & Canada UL 508 Industrial Control Equipment |
| UL FILE NUMBER | E160849 |
| FRONT PANEL | UL Type 4X, NEMA 4X, IP65; panel gasket provided |
| LOW VOLTAGE DIRECTIVE | EN 61010-1:2001 Safety requirements for measurement, control, and laboratory use |

Electromagnetic Compatibility

| | |
|--------------------------------|--|
| EMISSIONS | EN 55022:2006/A1:2007 Class A ITE emissions requirements |
| Radiated Emissions | Class A |
| AC Mains Conducted Emissions | Class A |
| IMMUNITY | EN 61326-1:2006 Measurement, control, and laboratory equipment EN 61000-6-2:2005 EMC heavy industrial generic immunity standard |
| RFI - Amplitude Modulated | 80 - 1000 MHz 10 V/m 80% AM (1 kHz) 1.4 - 2.0 GHz 3 V/m 80% AM (1 kHz) 2.0 - 2.7 GHz 1 V/m 80% AM (1 kHz) |
| Electrical Fast Transients | ±2kV AC mains, ±1kV other |
| Electrostatic Discharge | ±4kV contact, ±8kV air |
| RFI - Conducted | 10V, 0.15-80 MHz, 1kHz 80% AM |
| AC Surge | ±2kV Common, ±1kV Differential |
| Surge | 1KV (CM) |
| Power-Frequency Magnetic Field | 3 A/m 70%V for 0.5 period |
| Voltage Dips | 40%V for 5 & 50 periods 70%V for 25 periods |
| Voltage Interruptions | <5%V for 250 periods |

Note:

Testing was conducted on PD6300 meters installed through the covers of grounded metal enclosures with cable shields grounded at the point of entry representing installations designed to optimize EMC performance.

Declaration of Conformity available at www.predig.com

SAFETY INFORMATION

CAUTION: Read complete instructions prior to installation and operation of the meter.



WARNING: Risk of electric shock or personal injury.



Warning!

***Hazardous voltages exist within enclosure.
Installation and service should be performed only by
trained service personnel.***

INSTALLATION

There is no need to remove the meter from its case to complete the installation, wiring, and setup of the meter for most applications. Instructions are provided for setting up a 12/24 VDC powered meter to operate from 12 VDC and for changing the transmitter power supply to output 5 or 10 VDC instead of 24 VDC, see page 19.

Unpacking

Remove the meter from box. Inspect the packaging and contents for damage. Report damages, if any, to the carrier.

If any part is missing or the meter malfunctions, please contact your supplier or the factory for assistance.

Panel Mounting Instructions

- Prepare a standard 1/8 DIN panel cutout – 3.622" x 1.772" (92 mm x 45 mm). Refer to Figure 1 for more details.
- Clearance: allow at least 6.0" (152 mm) behind the panel for wiring.
- Panel thickness: 0.04" - 0.25" (1.0 mm - 6.4 mm).
Recommended minimum panel thickness to maintain Type 4X rating: 0.06" (1.5 mm) steel panel, 0.16" (4.1 mm) plastic panel.
- Remove the two mounting brackets provided with the meter (back-off the two screws so that there is ¼" (6.4 mm) or less through the bracket. Slide the bracket toward the front of the case and remove).
- Insert meter into the panel cutout.
- Install mounting brackets and tighten the screws against the panel. To achieve a proper seal, tighten the mounting bracket screws evenly until meter is snug to the panel along its short side. **DO NOT OVER TIGHTEN**, as the rear of the panel may be damaged.

Note: See Figure 21 on page 95 for 1/8 DIN Panel Cutout Template

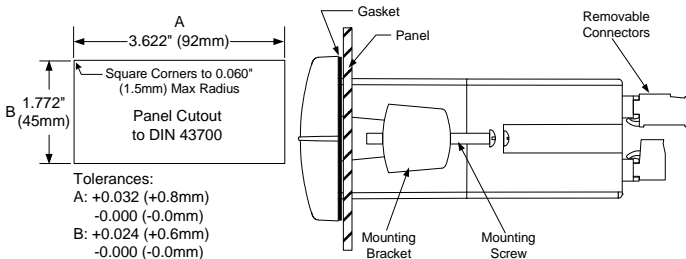


Figure 1: 1/8 DIN Panel Cutout and Mounting

Mounting Dimensions

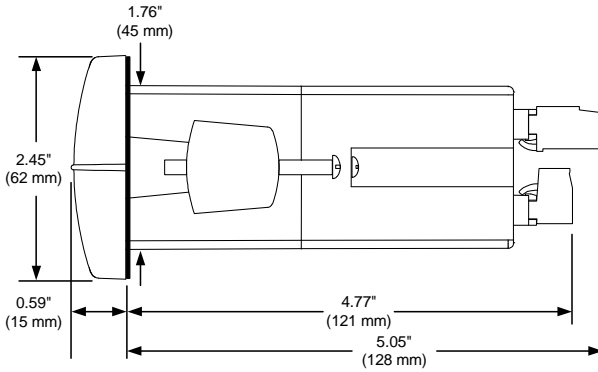


Figure 2: Meter Dimensions - Side View

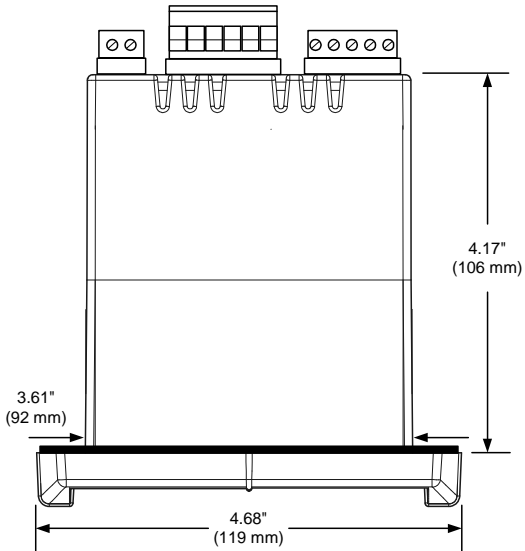


Figure 3: Meter Dimensions - Top View

Configuration for 12 or 24 VDC Power Option**Warning!**

Do not exceed voltage rating of the selected configuration.

Meters equipped with the 12/24 VDC power option are shipped from the factory ready to operate from 24 VDC.

To configure the meter for 12 VDC power:

1. Remove all the connectors.
2. Unscrew the back cover.
3. Slide the back cover about 1 inch.
4. Configure the J9 jumper, located behind the power connector, for 12 V as shown below.

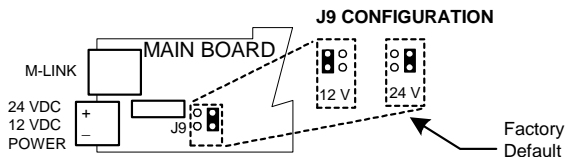


Figure 4: Jumper Configuration for 12/24 VDC Power

Transmitter Supply Voltage Selection (P+, P-)

All meters, including models equipped with the 12/24 VDC power option, are shipped from the factory configured to provide 24 VDC power for the transmitter or sensor.

If the transmitter requires 5 or 10 VDC excitation, the internal jumper J4 must be configured accordingly.

To access the voltage selection jumper:

1. Remove all the connectors.
2. Unscrew the back cover.
3. Slide the back cover about 1 inch.
4. Configure the J4 jumper, located behind the input signal connector, for the desired excitation voltage as shown.

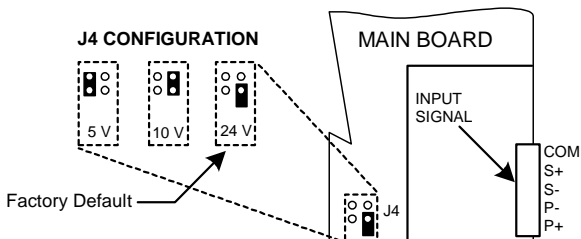


Figure 5: Transmitter Supply Voltage Selection

Connections

All connections are made to removable screw terminal connectors located at the rear of the meter.



Caution!

Use copper wire with 60°C or 60/75°C insulation for all line voltage connections. Observe all safety regulations. Electrical wiring should be performed in accordance with all applicable national, state, and local codes to prevent damage to the meter and ensure personnel safety.

Connectors Labeling

The connectors' label, affixed to the meter, shows the location of all connectors available with requested configuration.



Warning!

Do not connect any equipment other than Precision Digital's expansion modules, cables, or meters to the RJ45 M-LINK connector. Otherwise damage will occur to the equipment and the meter.

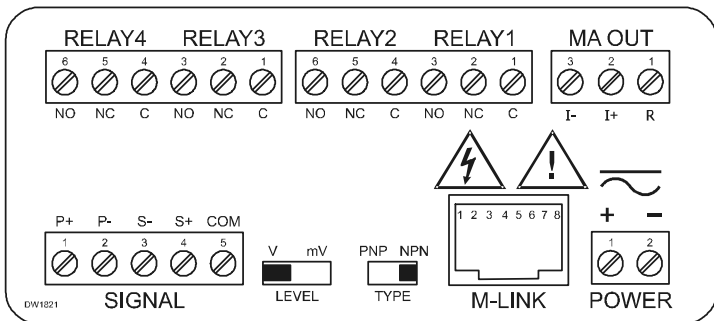


Figure 6: Connector Labeling for Fully Loaded PD6300

Power Connections

Power connections are made to a two-terminal connector labeled POWER on Figure 6. The meter will operate regardless of DC polarity connection. The + and - symbols are only a suggested wiring convention.

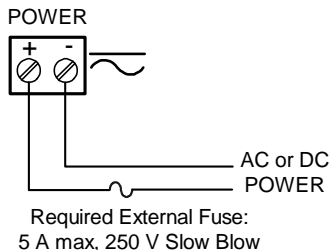


Figure 7: Power Connections

Signal Connections

Signal connections are made to a five-terminal connector labeled SIGNAL on Figure 6. The COM (common) terminal is the return for the input signals.

The following figures show examples of signal connections.

Setup and programming is performed through the front panel buttons.

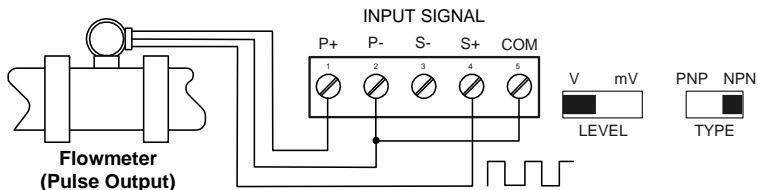


Figure 8: Flowmeter Powered by Internal Power Supply

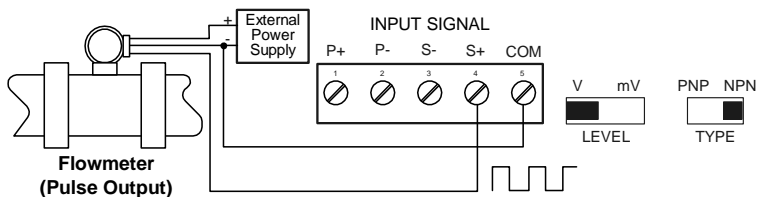


Figure 9: Flowmeter Powered by External Supply

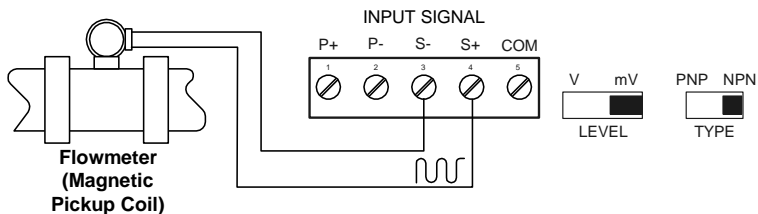


Figure 10: Self-Powered Magnetic Pickup Coil Flowmeter

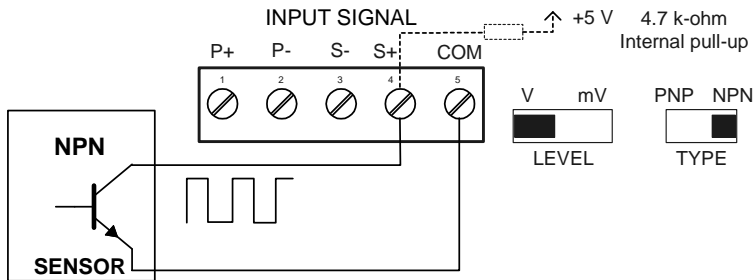


Figure 11: NPN open Collector Input

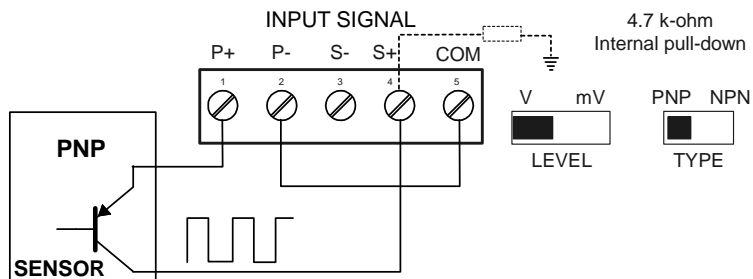


Figure 12: PNP Sensor Powered by Internal Supply

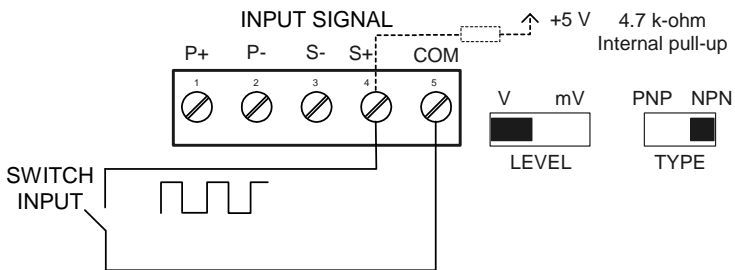


Figure 13: Switch Input Connections

Modbus RTU Serial Communications

Serial communications connection is made to an RJ45 connector labeled M-LINK on Figure 6. For interfacing to the ProVu[®], use the PDA1232 for RS-232, the PDA1485 for RS-422/485, or the PDA8008 for USB. The same port is used for interfacing with all expansion modules (e.g. external relays, digital I/O).

Use the PDA1200 meter copy cable for meter-to-meter interfacing for cloning purposes (i.e. copying settings from one meter to other meters).

Relay Connections

Relay connections are made to two six-terminal connectors labeled RELAY1 – RELAY4 on Figure 6. Each relay's C terminal is common only to the normally open (NO) and normally closed (NC) contacts of the corresponding relay. The relays' C terminals should not be confused with the COM (common) terminal of the INPUT SIGNAL connector.

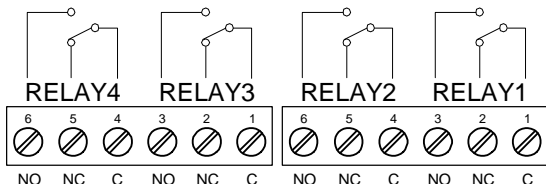


Figure 11: Relay Connections

Switching Inductive Loads

The use of suppressors (snubbers) is strongly recommended when switching inductive loads to prevent disrupting the microprocessor's operation. The suppressors also prolong the life of the relay contacts. Suppression can be obtained with resistor-capacitor (RC) networks assembled by the user or purchased as complete assemblies. Refer to the following circuits for RC network assembly and installation:

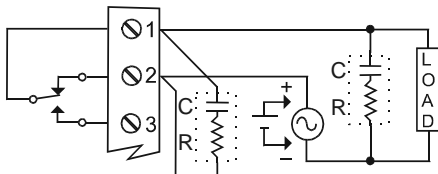


Figure 12: AC and DC Loads Protection

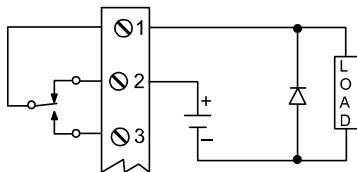
Choose R and C as follows:

R: 0.5 to 1 Ω for each volt across the contacts

C: 0.5 to 1 μF for each amp through closed contacts

Notes:

1. Use capacitors rated for 250 VAC.
2. RC networks may affect load release time of solenoid loads. Check to confirm proper operation.
3. Install the RC network at the meter's relay screw terminals. An RC network may also be installed across the load. Experiment for best results.



Use a diode with a reverse breakdown voltage two to three times the circuit voltage and forward current at least as large as the load current.

Figure 13: Low Voltage DC Loads Protection

RC Networks Available from Precision Digital

RC networks are available from Precision Digital and should be applied to each relay contact switching an inductive load. Part number: PDX6901.

Note: Relays are de-rated to 1/14th HP (50 watts) with an inductive load.

4-20 mA Output Connections

Connections for the 4-20 mA transmitter output are made to the connector terminals labeled MA OUT. The 4-20 mA output may be powered internally or from an external power supply.

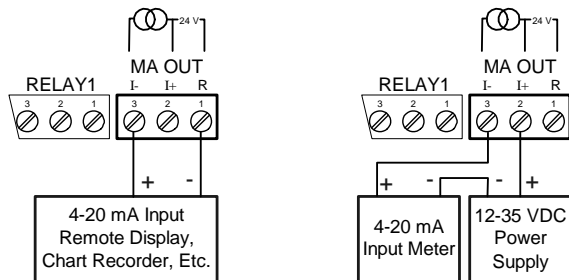


Figure 14: 4-20 mA Output Connections

Analog Output Transmitter Power Supply

The internal 24 VDC power supply powering the analog output may be used to power other devices, if the analog output is not used. The I+ terminal is the +24 V and the R terminal is the return. This power supply is capable of sourcing up to 40 mA.

External Relay & Digital I/O Connections

The relay and digital I/O expansion modules PDA1004 & PDA1044 are connected to the meter using the CAT5 cable provided with each module. The two RJ45 connectors on the expansion modules are identical and interchangeable; they are used to connect additional modules to the system.

Note: The jumper located between the RJ45 connectors of the PDA1044 must be removed on the second digital I/O module in order for the system to recognize it as module #2.



Warning!

Do not connect or disconnect the expansion modules with the power on!

More detailed instructions are provided with each optional expansion module.

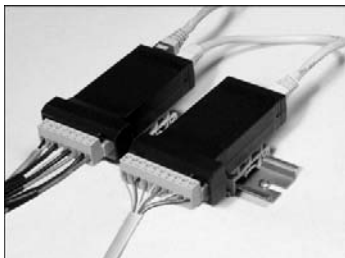


Figure 15: Expansion Modules & DIN Rail Mounting Kit

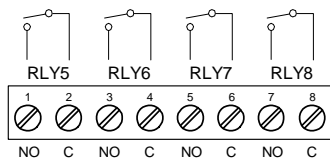


Figure 16: External Relays Module Connections

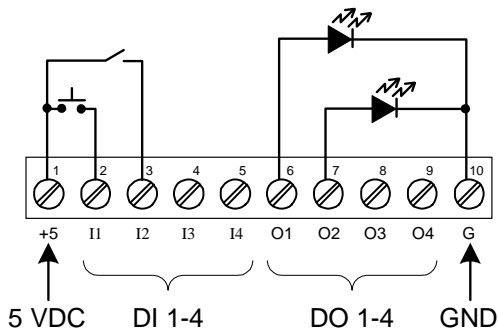


Figure 17: Digital I/O Module Connections

Interlock Relay Feature

As the name implies, the interlock relay feature reassigns one, or more, alarm/control relays for use as interlock relay(s). Interlock contact(s) are wired to digital input(s) and trigger the interlock relay. This feature is enabled by configuring the relay, and relative digital input(s) (see page 65). In one example, dry interlock contacts are connected in series to one digital input which will be used to force on (energize) the assigned interlock power relay when all interlock contacts are closed (safe). The interlock relay front panel LED flashes when locked out. The interlock relay would be wired in-series with the load (N/O contact). See below.

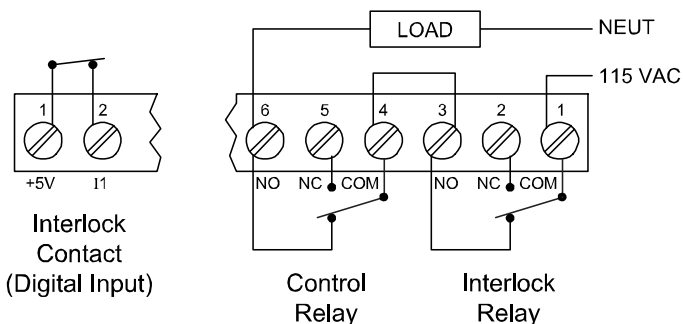


Figure 18: Interlock Connections

SETUP AND PROGRAMMING

- The meter has been factory calibrated to read input frequency in Hz (pulses/sec). The calibration equipment is certified to NIST standards.
- Use the *K-Factor* menu to match the rate/totalizer with a flowmeter's k-factor (pulse/unit of measure).
- Or use the *Scale* menu to scale the pulse input (pulse/sec) without a signal source.
- Or use *Cal* menu to calibrate the rate/totalizer using a signal source.

Overview

There are two switches, located to the right of the input connector, which must be configured according to the input level and type. Jumper J4 located inside the meter, behind the input signal connector, is used to select the excitation voltage (24 V*, 10 V or 5 V) which is supplied to the P+ and P- wiring terminals.

Setup and programming is done through the front panel buttons.

After power and input signal connections have been completed and verified, apply power to the meter.

**Default setting*

Front Panel Buttons and Status LED Indicators



| Button Symbol | Description |
|--|----------------|
| | Menu |
| | Right arrow/F1 |
| | Up arrow/F2 |
| | Enter/F3 |
| <p><i>Note:</i> Alarms 5-8 are enabled when relay expansion module is installed.</p> | |

| LED | Status |
|-----|--|
| 1-8 | Alarm 1 – 8 indicator |
| R | Rate indicator |
| T | Total indicator or Flashing: Tare |
| G T | Grand Total indicator |
| ▲ | Total overflow indicator |
| M | Manual control relays &/or analog output |

- Press the Menu button to enter or exit the Programming Mode at any time.
- Press the Right arrow button to move to the next digit during digit or decimal point programming.
- Press or hold the Up arrow button to scroll through the menus, decimal point, or press or hold to increment the value of a digit.
- Press the Enter button to access a menu or to accept a setting.
- Press and hold the Menu button for three seconds to access the advanced features of the meter.

Display Functions and Messages

The meter displays various functions and messages during setup, programming, and operation. The following table shows the main menu functions and messages in the order they appear in the menu.

| Display | Parameter | Action/Setting Description |
|---------------|-----------------------------|---|
| <i>rESEt</i> | <i>Reset</i> | Press Enter to access the <i>Reset</i> menu |
| <i>rSt t</i> | <i>Reset total</i> | Press Enter to reset total |
| <i>rSt Gt</i> | <i>Reset grand total</i> | Press Enter to reset grand total |
| <i>rSt Hi</i> | <i>Reset high</i> | Press Enter to reset max display |
| <i>rSt Lo</i> | <i>Reset low</i> | Press Enter to reset min display |
| <i>rSt HL</i> | <i>Reset high & low</i> | Press Enter to reset max & min displays |
| <i>CoNtRl</i> | <i>Control</i> | Enter <i>Control</i> menu |
| <i>Auto</i> | <i>Automatic</i> | Press Enter to set meter for automatic operation |
| <i>MaAn</i> | <i>Manual</i> | Press Enter to manually control relays or analog output operation |
| <i>SEtUP</i> | <i>Setup</i> | Enter <i>Setup</i> menu |
| <i>INPUt</i> | <i>Input</i> | Enter <i>Input</i> selection menu |
| <i>toTAL</i> | <i>Total</i> | Enable or disable totalizer features |
| <i>dEc Pt</i> | <i>Decimal point</i> | Set decimal point for rate, total, grand total |
| <i>ProG</i> | <i>Program</i> | Enter the <i>Program</i> menu |
| <i>FAcToR</i> | <i>K-factor Scaling</i> | Programs unit to convert input pulse to rate in engineering units |
| <i>SCALE</i> | <i>Scale</i> | Enter the <i>Scale</i> menu |
| <i>CRl</i> | <i>Calibrate</i> | Enter the <i>Calibrate</i> menu |
| <i>INP 1</i> | <i>Input 1</i> | Calibrate input 1 signal or program input 1 value |
| <i>dIS 1</i> | <i>Display 1</i> | Program display 1 value |

| Display | Parameter | Action/Setting Description |
|----------------|--------------------------|---|
| <i>inP 2</i> | <i>Input 2</i> | Calibrate input 2 signal or program input 2 value (up to 32 points) |
| <i>d 5 2</i> | <i>Display 2</i> | Program display 2 value (up to 32 points) |
| <i>Error</i> | <i>Error</i> | Error, calibration not successful, check signal or programmed value |
| <i>dSPlAY</i> | <i>Display</i> | Enter the <i>Display</i> menu |
| <i>b Œ</i> | <i>Big display</i> | Press Enter to assign the Main display parameter (default: PV or rate) |
| <i>L tEtE</i> | <i>Little display</i> | Press Enter to assign the small display parameter (default: total) |
| <i>d- InTY</i> | <i>Display intensity</i> | Set display intensity level from 1 to 8 |
| <i>rELAY</i> | <i>Relay</i> | Enter the <i>Relay</i> menu |
| <i>RSS Œn</i> | <i>Assignment</i> | Assign relays to rate, total, or grand total |
| <i>RS Œn 1</i> | <i>Assign 1</i> | Relay 1 assignment |
| <i>rRtE</i> | <i>Rate</i> | Assign relay to rate |
| <i>tOtRl</i> | <i>Total</i> | Assign relay to total |
| <i>Œ tOtRl</i> | <i>Grand total</i> | Assign relay to grand total |
| <i>rLY 1</i> | <i>Relay 1</i> | Relay 1 setup |
| <i>Rct 1</i> | <i>Action 1</i> | Set relay 1 action |
| <i>Ruto</i> | <i>Automatic</i> | Set relay for automatic reset |
| <i>R-nŒRn</i> | <i>Auto-manual</i> | Set relay for automatic & manual reset any time |
| <i>LRAEH</i> | <i>Latching</i> | Set relay for latching operation (relays assigned to rate) |
| <i>Lt-CLr</i> | <i>Latching-cleared</i> | Set relay for latching operation with manual reset only after alarm condition has cleared (relays assigned to rate) |
| <i>RLtErn</i> | <i>Alternate</i> | Set relay for alternation control (relays assigned to rate) |

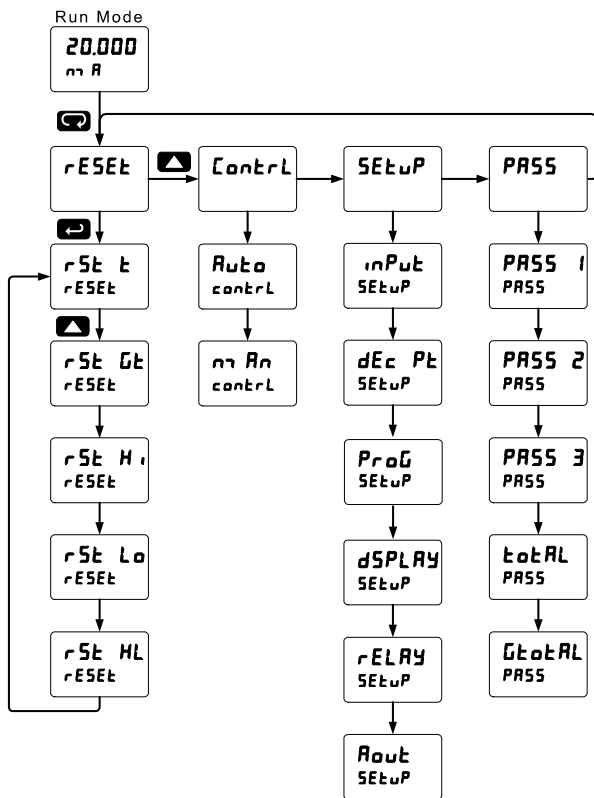
| Display | Parameter | Action/Setting Description |
|---------|-------------------------|---|
| SRAMP | Sampling | Set relay for sampling operation |
| OFF | Off | Disable relay and front panel status LED (Select Off to enable Interlock feature) |
| SEt 1 | Set 1 | Program set point 1 |
| rSEt 1 | Reset 1 | Program reset point 1 |
| rLY 2 | Relay 2 | Relays 2-8 setup <i>Note: Relays 5-8 are shown, only if expansion relay module is installed.</i> |
| FRILSF | Fail-safe | Enter Fail-safe menu |
| FLS 1 | Fail-safe 1 | Set relay 1 fail-safe operation |
| on | On | Enable fail-safe operation |
| oFF | Fail-safe off | Disable fail-safe operation |
| dELAY | Delay | Enter relay Time Delay menu |
| dLY 1 | Delay 1 | Enter relay 1 time delay setup |
| On 1 | On | Set relay 1 On time delay |
| OFF 1 | Off | Set relay 1 Off time delay |
| Rout | Analog output | Enter the Analog output scaling menu |
| dIS 1 | Display 1 | Program display 1 value |
| Out 1 | Output 1 | Program output 1 value (e.g. 4.000 mA) |
| dIS 2 | Display 2 | Program display 2 value |
| Out 2 | Output 2 | Program output 2 value (e.g. 20.000 mA) |
| t tb | Total time base | Program total time base |
| t CF | Total conversion factor | Program total conversion factor |
| t rSEt | Total reset | Program total reset mode: auto or manual |

| Display | Parameter | Action/Setting Description |
|---------|--------------------------------------|--|
| ፎፕ ፎፕ | <i>Grand total time base</i> | Program grand total time base |
| ፎፕ ፎፑ | <i>Grand total conversion factor</i> | Program grand total conversion factor |
| ፎፕ ፕፕፕ | <i>Grand total reset</i> | Program grand total reset mode: auto or manual |
| ፑፕፕፕ | <i>Automatic</i> | Press Enter to set automatic total reset |
| ፕ ፈፕፕ | <i>Time delay</i> | Program time delay for total auto reset |
| ፑፑ ፑፑ | <i>Manual</i> | Press Enter to reset total manually |
| ፑፑፑፑ | <i>Password</i> | Enter the <i>Password</i> menu |
| ፑፑፑፑ 1 | <i>Password 1</i> | Set or enter Password 1 |
| ፑፑፑፑ 2 | <i>Password 2</i> | Set or enter Password 2 |
| ፑፑፑፑ 3 | <i>Password 3</i> | Set or enter Password 3 |
| ፕፕፕፑፑፑ | <i>Total password</i> | Set or enter password for manual reset |
| ፎፕፕፕፑፑፑ | <i>Grand total password</i> | Set or enter password for manual reset |
| ፑፑፑፑፕፕ | <i>Non-resettable</i> | Non-resettable grand total set after entering "050873" for Gtotal password |
| ፕፑፑፑፑፑ | <i>Unlocked</i> | Program password to lock meter |
| ፑፑፑፑ | <i>Locked</i> | Enter password to unlock meter |
| 999999 | <i>Flashing display</i> | Overrange condition |

Main Menu

The main menu consists of the most commonly used functions: *Reset*, *Control*, *Setup*, and *Password*.

- Press Menu button to enter Programming Mode then press the Up arrow button to scroll through the main menu.



- Press Menu, at any time, to exit and return to Run Mode. Changes made to settings prior to pressing Enter are not saved.
- Changes to the settings are saved to memory only after pressing Enter.
- The display moves to the next menu every time a setting is accepted by pressing Enter.

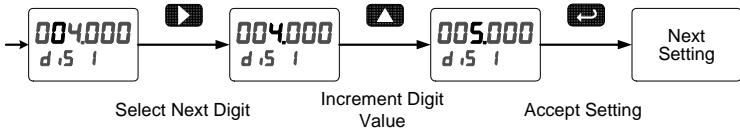
Setting Numeric Values

The numeric values are set using the Right and Up arrow buttons. Press Right arrow to select next digit and Up arrow to increment digit value.

The digit being changed is displayed brighter than the rest.

Press and hold up arrow to auto-increment the display value.

Press the Enter button, at any time, to accept a setting or Menu button to exit without saving changes.

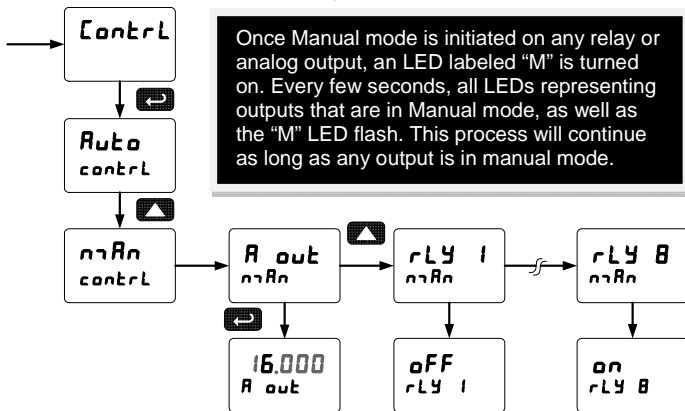


Reset Menu (rESEt)

The *Reset* menu is used to reset the totals, maximum or minimum reading (peak or valley) reached by the process; both may be reset at the same time by selecting “reset high & low” (rSE HL).

Control Menu (ContrL)

The *Control* menu is used to control the 4-20 mA analog output and the relays manually, ignoring the input. Each relay and analog output can be programmed independently for manual control. Selecting automatic control sets all relays and the analog output for automatic operation.

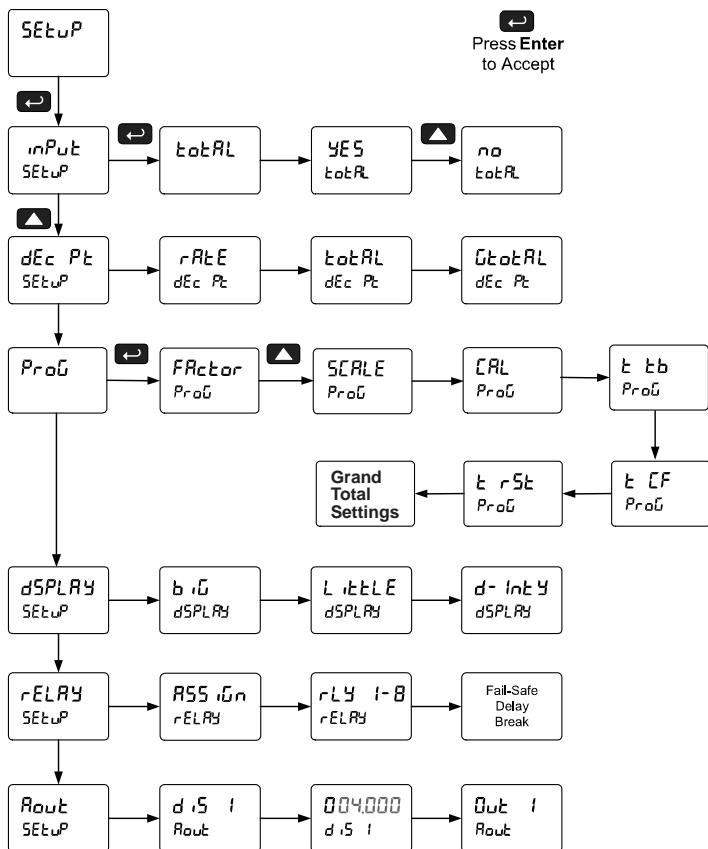


Setting Up the Rate/Totalizer Meter (SEtUP)

The *Setup* menu is used to select:

1. Enable or disable totalizer features
2. Decimal point position
3. Display parameter and intensity
4. Relay operation
5. 4-20 mA analog output scaling

Press the Enter button to access any menu or press Up arrow button to scroll through choices. Press the Menu button to exit at any time.



Setting the Input Signal (InPut)

There are two switches, located to the right of the input connector, which must be configured according to the input level and type. Jumper J4 located inside the meter, behind the input signal connector, is used to select the excitation voltage (24 V*, 10 V or 5 V) which is supplied to the P+ and P- wiring terminals.

**Default setting*

Enter the Input menu to enable or disable the totalizer features.

Setting the Totalizer Features (Total)

Enable or disable the totalizer features by selecting “YES” or “no” after the input type has been set up. If the totalizer features are disabled, all the totalizer features and functions are hidden from the menus.

Note: The totalizer continues working in the background.

Setting the Decimal Point (dEc Pt)

The decimal point may be set with up to five decimal places or with no decimal point at all. The rate, total, and grand total decimal points are independent.

Pressing the Right arrow moves the decimal point one place to the right until no decimal point is displayed then it moves to the leftmost position.

Programming the Rate/Totalizer (Prog)

It is **very important** that one reads the following information before programming the meter:

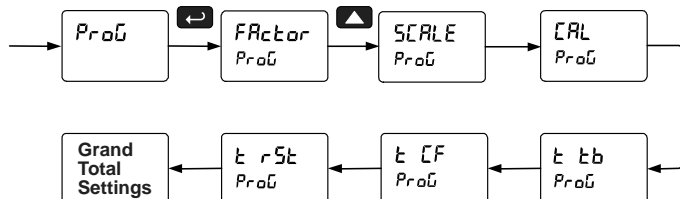
- The meter has been factory calibrated to read input frequency in Hz (pulses/sec). The calibration equipment is certified to NIST standards.
- Use the *K-Factor* menu to match the rate/totalizer with a flowmeter's k-factor (pulse/unit of measure).
- Or use the *Scale* menu to scale the pulse input (pulse/sec) without a signal source.
- Or use *Cal* menu to calibrate the rate/totalizer using a signal source.

The *Program* menu contains the following menus:

1. K-Factor calibration
2. Scale without a signal source
3. Calibrate with a calibrated signal source
4. Total time base & conversion factor
5. Grand total time base & conversion factor
6. Total reset mode for total & grand total

Note: The *Scale* and *Calibrate* functions are exclusive of each other. The meter uses the last function programmed. Only one of these methods can be employed at a time. The *Scale* and *Calibrate* functions can use up to 32 points (default is 2). The number of points should be set in the Advanced menu under the Multi-Point Linearization (L nERr) Multi-Point Linearization (L nERr) menu selection prior to scaling and calibration of the meter, see page 7676 for details.

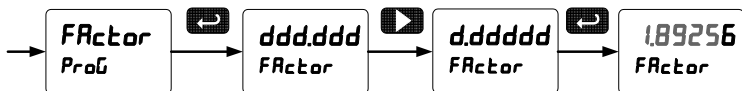
The process inputs may be calibrated or scaled to any display value within the range of the meter.



Additional parameters, not needed for most applications, are programmed in the *Advanced Features* menu; see *Advanced Features Menu*, page 70.

K-Factor Calibration (FRctör)

The meter may be calibrated using the *K-Factor* function. Most flowmeter manufacturers provide this information with the device. Enter the *K-Factor* (FRctör) menu and select the decimal point with highest resolution possible and program the k-factor value (*i.e.* pulses/gal). The meter will automatically calculate the flow rate using the k-factor and the time base selected.

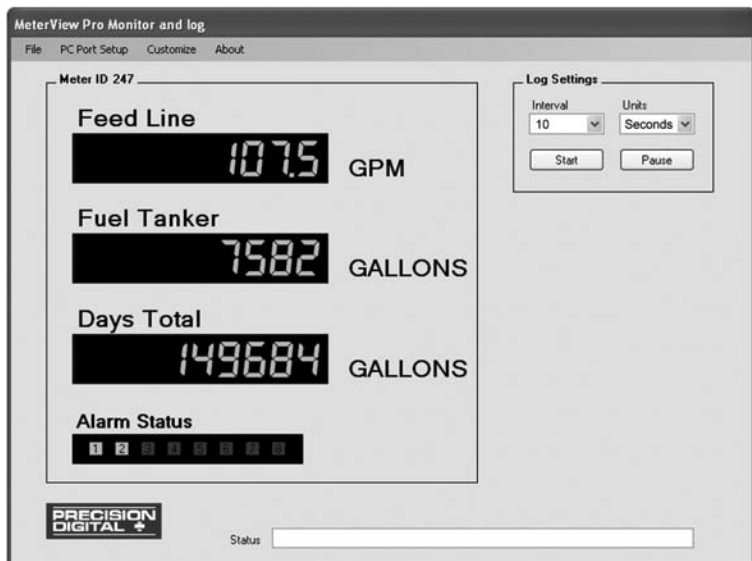
**Multi-Point Calibration & Scaling**

The meter is set up at the factory for 2-point linear calibration. The number of points for multi-point calibration/scaling is set up in the *Advanced Features* menu. Up to 32 linearization points may be selected. See page 76 for details.

The meter can also be programmed using the PC-based MeterView Pro software available for free download at www.predig.com.

Data logging for one meter at the time is available with MeterView Pro software. More advanced data acquisition may be accomplished by using any Modbus RTU compliant software.

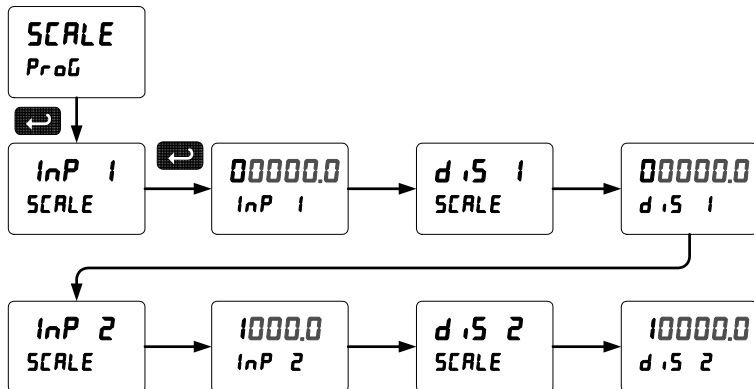
In order to program the meter using a computer, the meter must be connected using a USB, RS-232 or RS-485 serial adapter, see ORDERING INFORMATION on page 8 for details.



Scaling the Meter (SCALE)

The pulse inputs can be scaled to display the process variable in engineering units.

A signal source is not needed to scale the meter; simply program the inputs and corresponding display values.



For instructions on how to program numeric values see *Setting Numeric Values*, page 36.

Error Message (Error)

An error message indicates that the calibration or scaling process was not successful. After the error message is displayed, the meter reverts to input 2 during calibration or scaling, allowing the appropriate input signal to be applied or programmed.

The error message might be caused by any of the following conditions:

1. Input signal is not connected to the proper terminals or it is connected backwards.
2. Minimum input span requirements not maintained.
3. Input 1 signal inadvertently applied to calibrate input 2.

Minimum Input Span

The minimum allowed input span is 1.0 Hz, which is the minimum difference between input 1 and input 2 signals required to complete the calibration or scaling of the meter.

Gate Function (GATE)

The gate function is used for displaying slow pulse rates. Using the programmable gate, the meter is able to display pulse rates as slow as 1 pulse every 999.9 seconds (0.001 Hz). The gate function can also be used to obtain a steady display reading with a fluctuating input signal.

The gate function (GATE) is the first option in the Advanced Features menu. There are two settings for the GATE, low gate (Lo G) and high gate (Hi G).

Low Gate (Lo G)

For most applications, low gate setting should be left at 1.0 second. Increase low gate setting to obtain a steadier rate display. The rate display will update in accordance with the low gate setting, for example if low gate is set at 10.0, the display will update every 10 seconds; changes in rate between updates will not be reflected until next display update.

High Gate (Hi G)

Set the high gate value to correspond to the highest expected pulse period (lowest pulse rate). For instance if the meter must display a rate when there is 1 pulse coming into the meter every 10 seconds, set the high gate to 11.0 seconds. When the signal is removed from the meter, the display will show the last reading for 11 seconds; then it will read zero.

Gate Settings

| Slow Pulse Rate | | |
|-----------------|-----------------|-----------------|
| Low Gate* (sec) | High Gate (sec) | Min Freq** (Hz) |
| 1.0 | 2.0 | 0.5000 |
| 1.0 | 10.0 | 0.1000 |
| 1.0 | 20.0 | 0.0500 |
| 1.0 | 100.0 | 0.0100 |
| 1.0 | 200.0 | 0.0050 |
| 1.0 | 400.0 | 0.0025 |
| 1.0 | 800.0 | 0.0012 |
| 1.0 | 999.9 | 0.0010 |

*The low gate setting corresponds to the display update rate and is used to stabilize the display reading with a fluctuating signal.

**The minimum frequency is dependent on high gate setting.

Contact De-Bounce Filter (F ILtEr)

The filter function (**F ILtEr**) can be used for applications where the meter is set up to count pulses generated by switch contacts. The filter value can be set anywhere between 2 and 50, the higher the value, the greater the filtering.

The filter function (**F ILtEr**) is the second option in the Advanced Features menu. There are two settings, **Hi SPd** (high speed) and **Lo SPd** (low speed), press **ENTER** when **Lo SPd** is displayed to enable the filter function. Program the filter value, so that there are no extra counts when a contact closure is completed.

Filter Settings

| Contact De-Bounce Filter | | |
|--------------------------|---------------|---------------|
| Filter Setting | Speed Setting | Max Freq (Hz) |
| 2 | Lo SPd | 999 |
| 4 | Lo SPd | 499 |
| 8 | Lo SPd | 249 |
| 16 | Lo SPd | 124 |
| 32 | Lo SPd | 62 |
| 40 | Lo SPd | 50 |
| 50 | Lo SPd | 40 |
| N/A | Hi SPd | 30,000 |

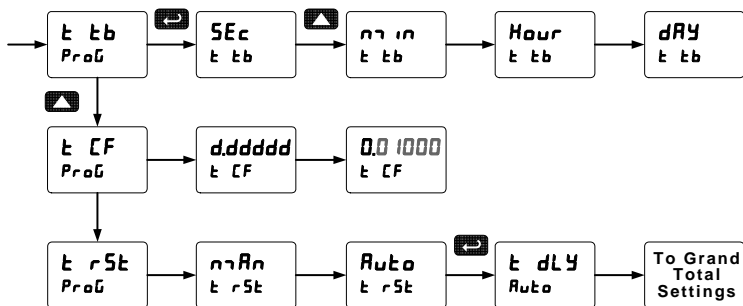
Time Base, Total Conversion Factor & Total Reset

The time base, total conversion factor, and total reset menus are located in the *Program* menu.

The total and grand total have their own independent settings. This means that one can be displaying the value in gallons while the other displays in million gallons, liters, m³, etc.

Total & Grand Total Reset

The totals can be programmed for manual or automatic reset. In the automatic reset mode, a programmable time delay is available to reset the total or grand total after the assigned preset is reached.



Non-Resetable Totalizer

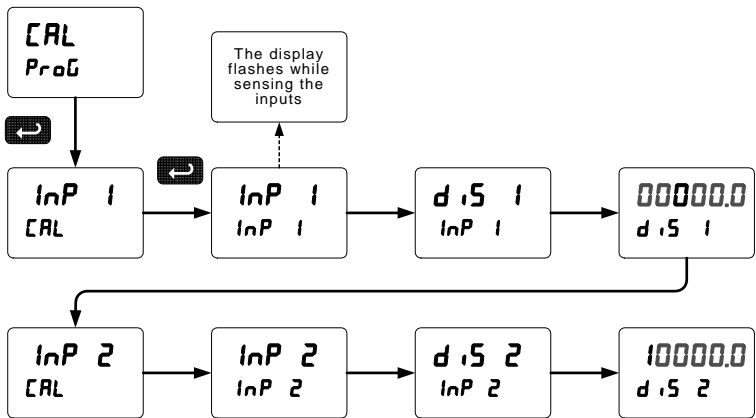
The total and grand total can be password-protected to prevent unauthorized resets. The grand total can be programmed as a non-resettable total, see page 68 for details.

Calibrating the Meter with External Source (CAL)

To scale the meter without a signal source refer to K-Factor Calibration (FRCTOR) on page 40 or Scaling the Meter (SCALE) on page 42

The meter can be calibrated to display the process variable in engineering units by applying the appropriate input signal and following the calibration procedure.

The use of a calibrated signal source is strongly recommended to calibrate the meter.



There is no need to warm up the meter before performing the calibration procedure.

Setting the Display Parameter & Intensity (d5PLAY)

The main display (b 10) can be programmed to display:

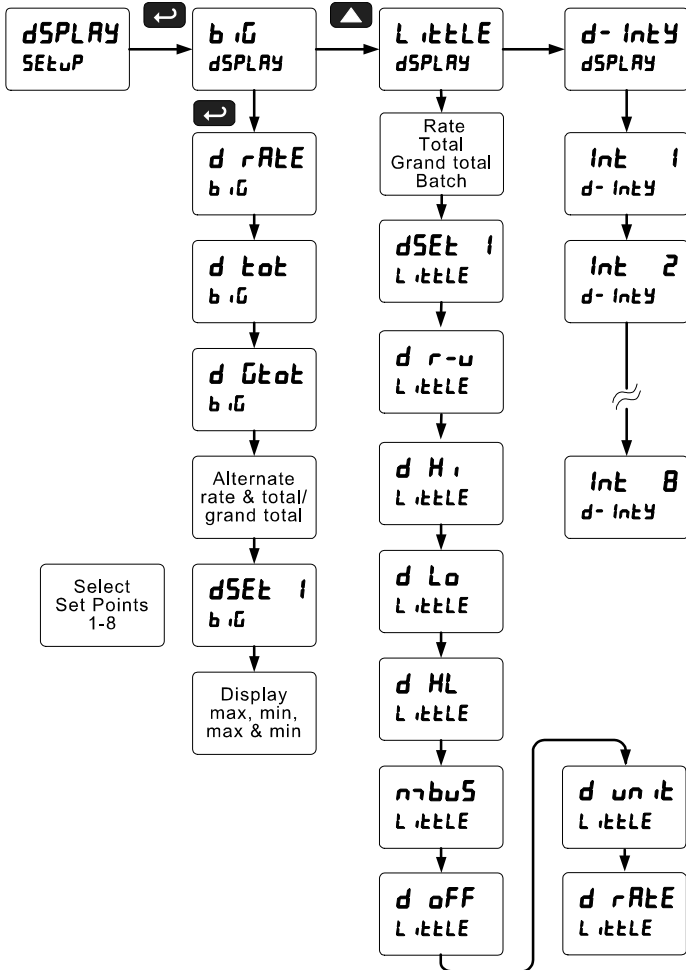
1. Rate value
2. Total or grand total
3. Relay set points
4. Max & min values
5. Modbus input
6. Display rate and units

The small display (L 1111E) can be programmed to display:

1. Rate value
2. Total or grand total
3. Relay set points
4. Max & min values
5. Engineering units or custom legends
6. Modbus input
7. Off (no display)
8. Display rate and units

Display Intensity: The meter has eight display intensity levels to give the best performance under various lighting conditions. Select intensity 8 for outdoor applications.

Display Setup Menu



After setting up the input and the display, press the Menu button to exit programming and skip the rest of the setup menu. Press the Menu button again and the Up arrow to reach the *Program* menu and complete the scaling or calibration of the meter.

Character Set for Engineering Units Display (d unit)

The small display can be programmed to show engineering units or custom legends using the following 7-segment character set:

| Display | Character |
|---------|-----------|
| 0 | 0 |
| 1 | 1 |
| 2 | 2 |
| 3 | 3 |
| 4 | 4 |
| 5 | 5 |
| 6 | 6 |
| 7 | 7 |
| 8 | 8 |
| 9 | 9 |
| A | A |
| b | b |
| C | C |
| c | c |
| d | d |
| E | E |
| F | F |
| G | G |
| g | g |
| H | H |
| h | h |
| I | I |
| i | i |
| J | J |

| Display | Character |
|---------|-----------|
| K | K |
| L | L |
| m | m |
| n | n |
| O | O |
| o | o |
| P | P |
| q | q |
| r | r |
| S | S |
| t | t |
| u | u |
| V | V |
| w | w |
| X | X |
| Y | Y |
| Z | Z |
| - | - |
| / | / |
|] |] |
| [| [|
| = | = |
| | Space |
| ° | Degree |

*Degree symbol (special non-ASCII character used)

The letters “m” and “w” use two 7-segment LEDs each; when selected the characters to the right are shifted one position.

See the flow chart on page 48 to access the display units menu.

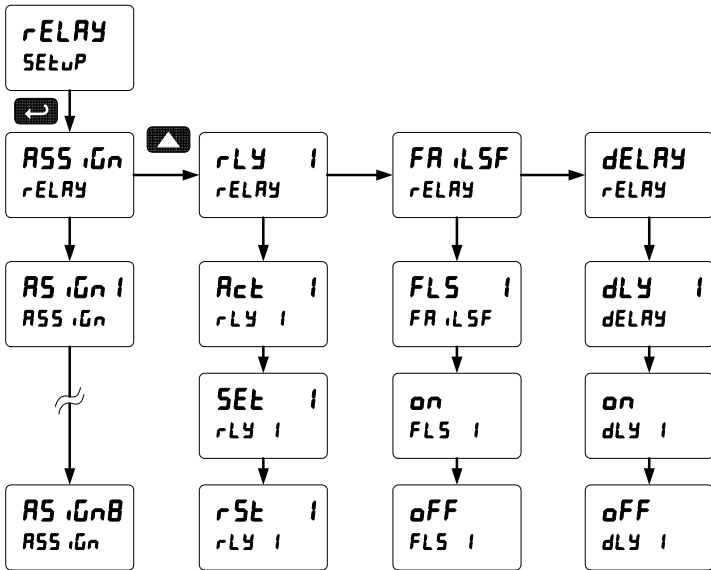
Press and hold up arrow to auto-scroll the characters in the display.

Setting the Relay Operation (RELAY)

This menu is used to set up the operation of the relays.

CAUTION! During setup, the relays do not follow the input and they will remain in the state found prior to entering the Relay menu.

1. Relay assignment
 - a. Rate for low and high alarm
 - b. Total
 - c. Grand total
2. Relay action
 - a. Automatic reset only (non-latching)
 - b. Automatic + manual reset at any time (non-latching)
 - c. Latching (manual reset only)
 - d. Latching with Clear (manual reset only after alarm condition has cleared)
 - e. Alternation control (automatic reset only)
 - f. Sampling (the relay is activated for a user-specified time)
 - g. Off (relay state controlled by Interlock feature)
3. Set and reset points
4. Fail-safe operation
 - a. On (enabled)
 - b. Off (disabled)
5. Time delay
 - a. On delay (0-999.9 seconds)
 - b. Off delay (0-999.9 seconds)

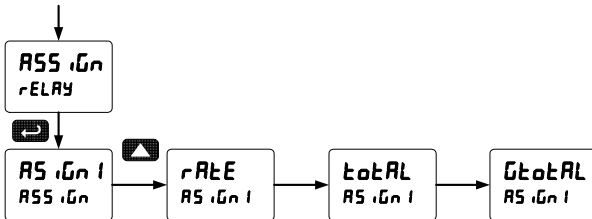


Note: The setup of relays 2-8 follows the same pattern shown here for relay 1.

Relay Assignment (ASSIGN)

The relays can be assigned to any of the following parameters:

1. Rate for low or high alarm indication
2. Total for alarm indication
3. Grand total for alarm indication

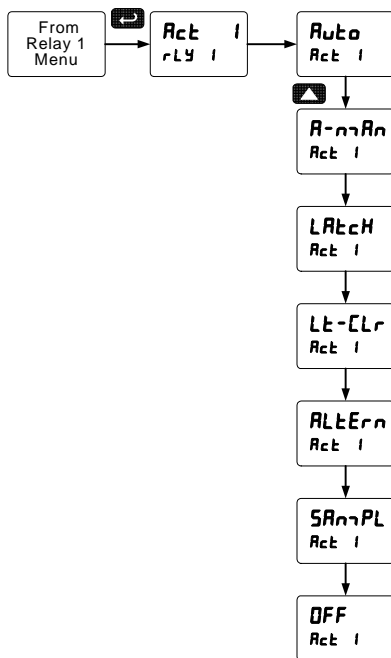


Setting the Relay Action

Operation of the relays is programmed in the *Action* menu. The relays may be set up for any of the following modes of operation:

1. Automatic reset (non-latching)
2. Automatic + manual reset at any time (non-latching)
3. Latching (manual reset only, at any time)
4. Latching with Clear (manual reset only after alarm condition has cleared)
5. Alternation control (automatic reset only)
6. Sampling (the relay is activated for a user-specified time)
7. Off (relay state controlled by Interlock feature)

The following graphic shows relay 1 action setup; relay 2-8 are set up in a similar fashion.



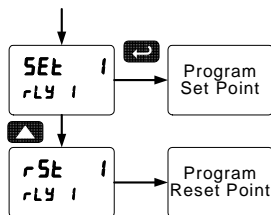
Programming Set and Reset Points

High alarm indication: program set point above reset point.

Low alarm indication: program set point below reset point.

The deadband is determined by the difference between set and reset points. Minimum deadband is one display count. If the set and reset points are programmed with the same value, the relay will reset one count below the set point.

Note: Changes are not saved until the reset point has been accepted.



Setting Fail-Safe Operation

In fail-safe mode of operation, the relay coil is energized when the process variable is within safe limits and the relay coil is de-energized when the alarm condition exists. The fail-safe operation is set independently for each relay. Select **on** to enable or select **oFF** to disable fail-safe operation.

Programming Time Delay

The *On* and *Off* time delays may be programmed for each relay between 0 and 999.9 seconds. The relays will transfer only after the condition has been maintained for the corresponding time delay.

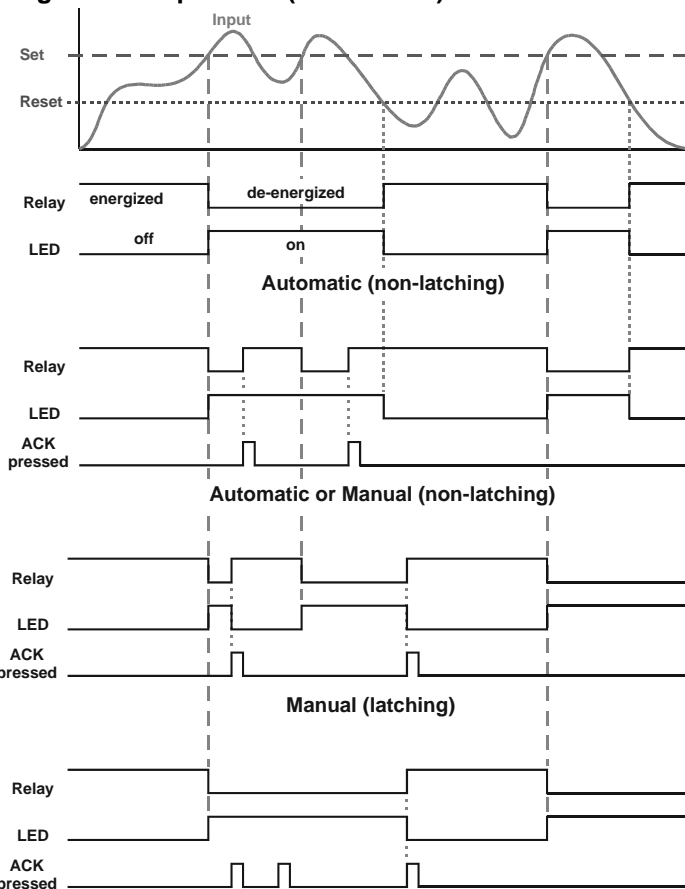
The *On* time delay is associated with the set point.

The *Off* time delay is associated with the reset point.

Relay and Alarm Operation Diagrams

The following graphs illustrate the operation of the relays, status LEDs, and ACK button.

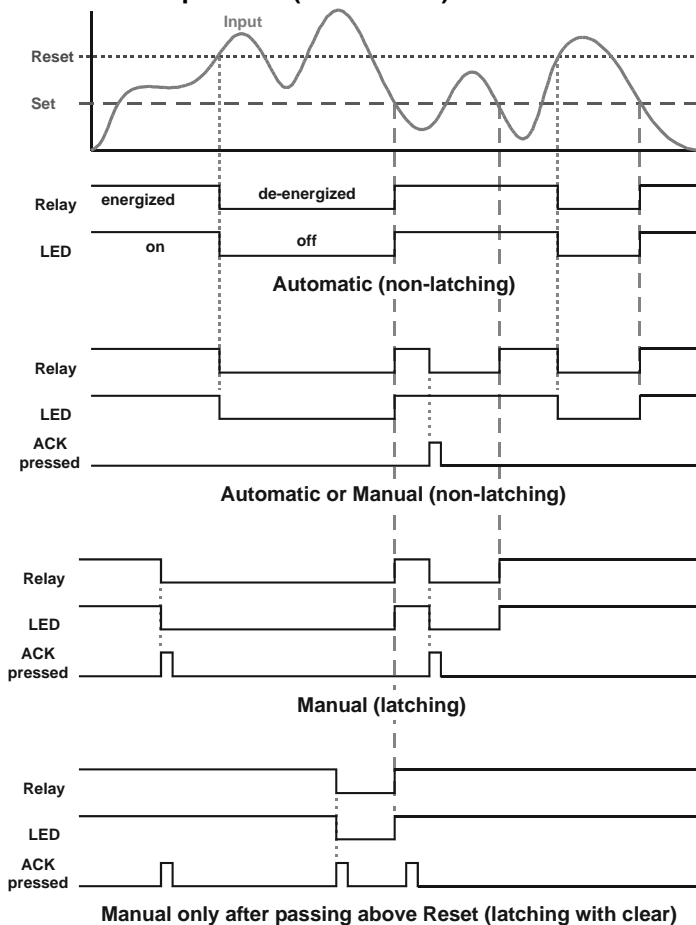
High Alarm Operation (Set > Reset)



Manual only after passing below Reset (latching with clear)

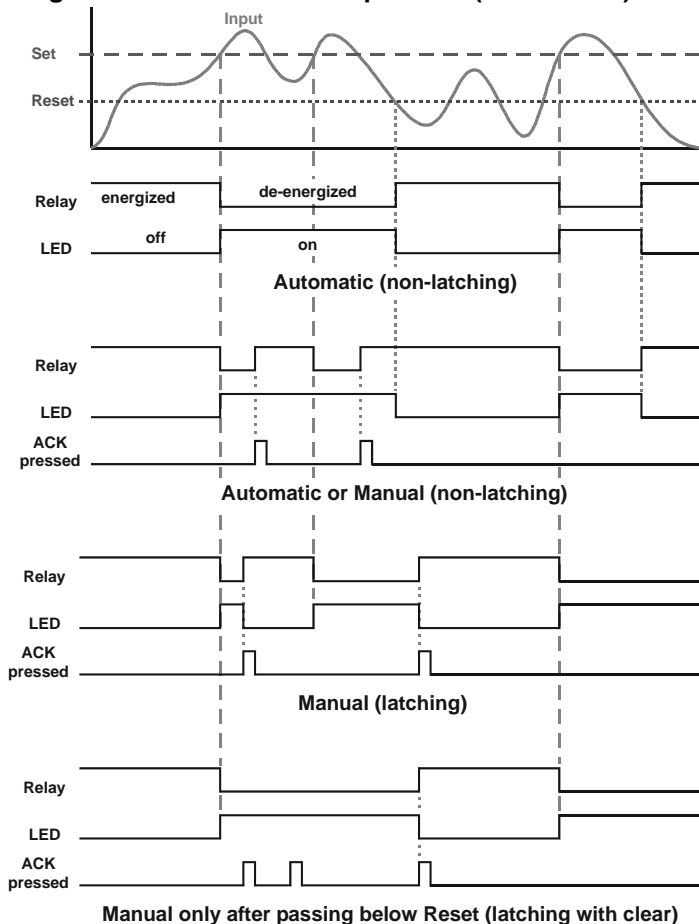
For Manual reset mode, ACK can be pressed anytime to turn "off" relay. To detect a new alarm condition, the signal must go below the set point, and then go above it.

Low Alarm Operation (Set < Reset)



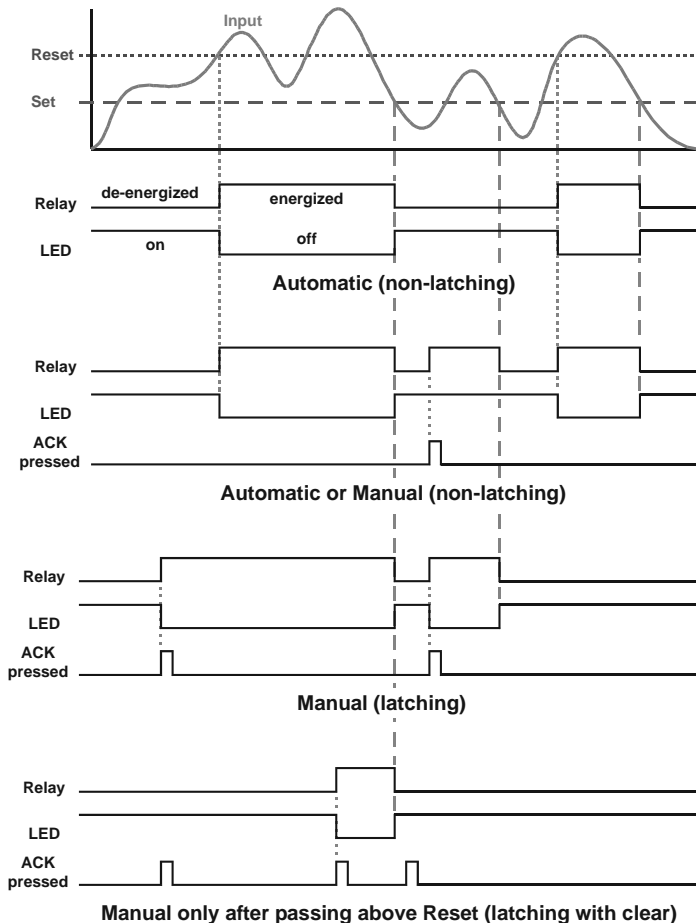
For Manual reset mode, ACK can be pressed anytime to turn "off" relay. For relay to turn back "on", signal must go above set point and then go below it.

High Alarm with Fail-Safe Operation (Set > Reset)



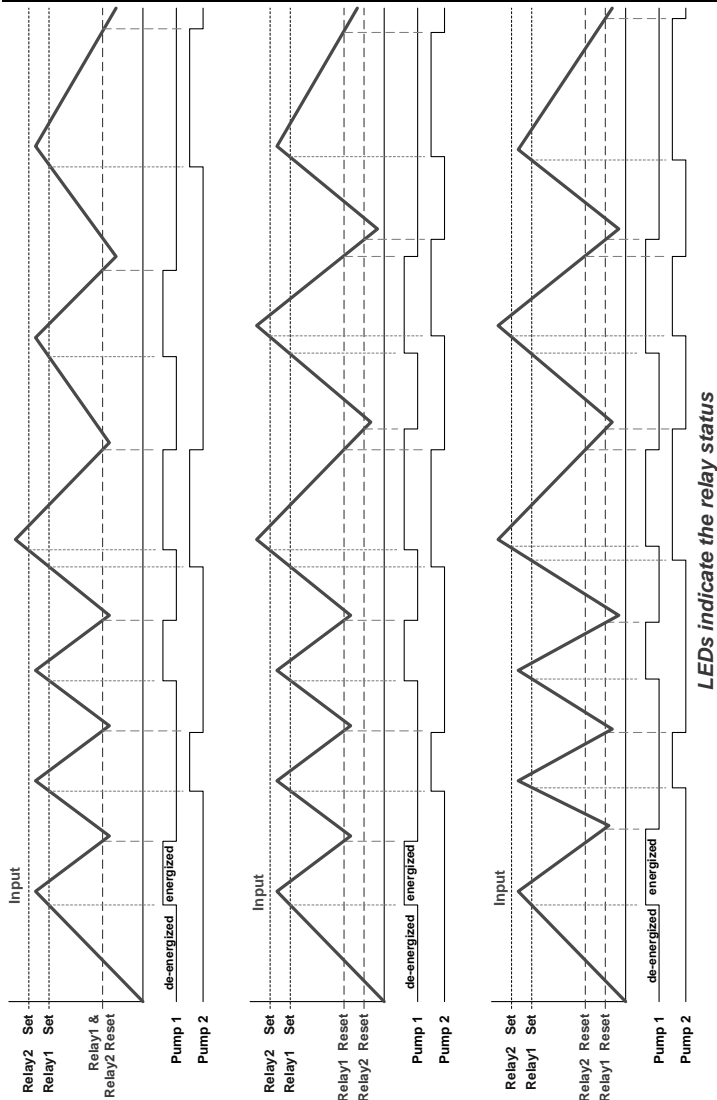
*Note: Relay coil is energized in non-alarm condition.
In case of power failure, relay will go to alarm state.*

Low Alarm with Fail-Safe Operation (Set < Reset)



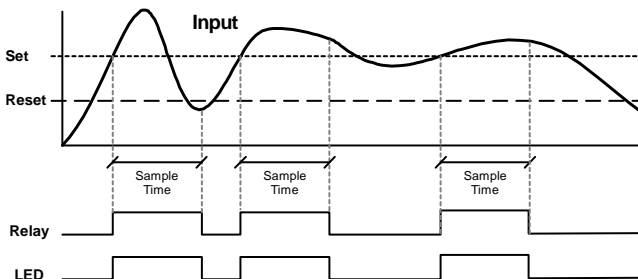
*Note: Relay coil is energized in non-alarm condition.
In case of power failure, relay will go to alarm state.*

Alternation Control Operation



LEDs indicate the relay status

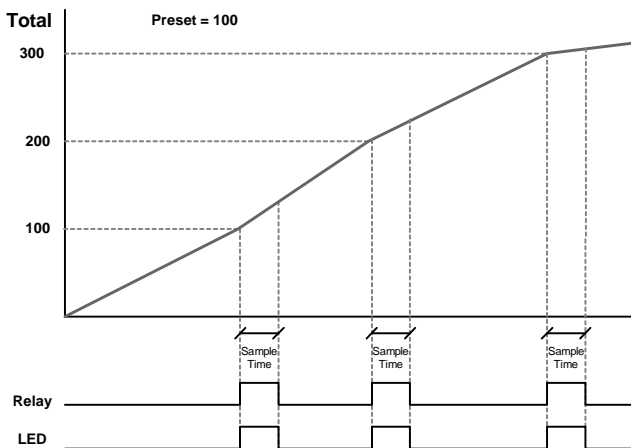
Rate Relay Sampling Operation



When the signal crosses the set point, the relay trips and the sample time starts. After the sample time has elapsed, the relay resets. The cycle repeats every time the set point is crossed, going up for high alarms and going down for low alarms.

The sample time can be programmed between 0.1 and 5999.9 seconds.

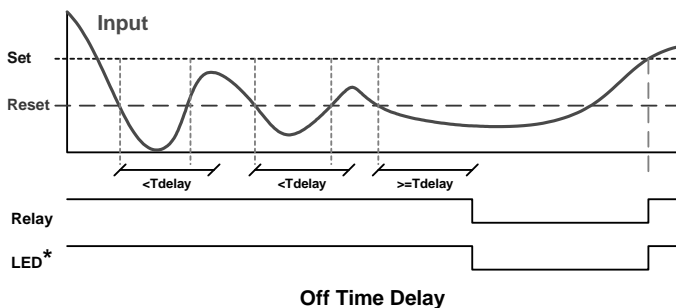
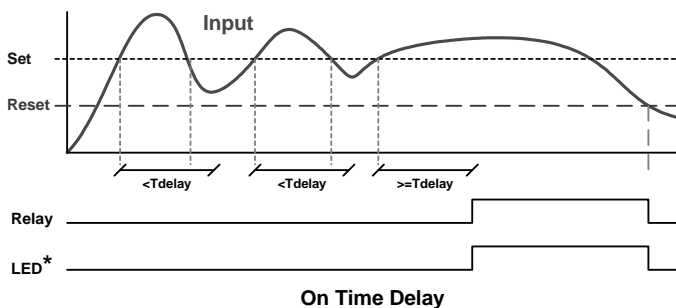
Total Relay Sampling Operation



When the total reaches the preset, the relay trips and the sample time starts. After the sample time has elapsed, the relay resets. The cycle repeats every time the preset value is added to the total.

Time Delay Operation

The following graphs show the operation of the time delay function.



When the signal crosses the set point, the *On* time delay timer starts and the relay trips when the time delay has elapsed. If the signal drops below the set point (high alarm) before the time delay has elapsed, the *On* time delay timer resets and the relay does not change state. The same principle applies to the *Off* time delay.

* Note: If “*Automatic or Manual (R-rRn)*” reset mode is selected, the LED follows the reset point and not the relay state when the relay is acknowledged.

Relay Operation Details

Overview

The relay capabilities of the meter expand its usefulness beyond simple indication to provide users with alarm and control functions. These capabilities include front panel alarm status LEDs as well as either 2 or 4 optional internal relays and/or 4 external relays expansion module. Typical applications include high or low flow alarms and basic batch control. There are four basic ways the relays can be used:

1. High or Low Alarms with Latching or Non-Latching Relays
2. Simple On/Off Control with 100% Adjustable Deadband
3. Sampling (Based on Time)
4. Alternation Control for up to 8 Relays

Relays Auto Initialization

When power is applied to the meter, the front panel LEDs and alarm relays will reflect the state of the input to the meter. The following table indicates how the alarm LEDs and relays will react on power-up based on the set and reset points:

| Alarm # | HI or LO Alarm | Set Point | Reset Point | Power-Up Reading | Relay & LED |
|---------|----------------|-----------|-------------|------------------|-------------|
| 1 | HI | 1000 | 500 | 499 | Off |
| 2 | LO | 700 | 900 | 499 | On |
| 3 | LO | 250 | 400 | 499 | Off |
| 4 | HI | 450 | 200 | 499 | On |

Fail-Safe Operation

The following table indicates how the relays behave based on the fail-safe selection for each relay:

| Fail-Safe Selection | Non-Alarm State | | Alarm State | | Power Failure |
|---------------------|-----------------|--------|-------------|--------|------------------------------|
| | NO | NC | NO | NC | |
| Off | Open | Closed | Closed | Open | Relays go to non-alarm state |
| On | Closed | Open | Open | Closed | Relays go to alarm state |

Note: NO = Normally Open, NC = Normally Closed. This refers to the condition of the relay contacts when the power to the meter is off.

Front Panel LEDs

The LEDs on the front panel provide status indication for the following:

| LED | Status |
|-----|---------|
| 1 | Alarm 1 |
| 2 | Alarm 2 |
| 3 | Alarm 3 |
| 4 | Alarm 4 |

| LED | Status |
|-----|---------|
| 5 | Alarm 5 |
| 6 | Alarm 6 |
| 7 | Alarm 7 |
| 8 | Alarm 8 |

The meter is supplied with four alarm points that include front panel LEDs to indicate alarm conditions. This standard feature is particularly useful for alarm applications that require visual-only indication. The LEDs are controlled by the set and reset points programmed by the user. When the display reaches a set point for a high or low alarm, the corresponding alarm LED will turn on. When the display returns to the reset point the LED will go off. The front panel LEDs respond differently for latching and non-latching relays.

For non-latching relays, the LED is always off during normal condition and always on during alarm condition, regardless of the state of the relay (e.g. Relay acknowledged after alarm condition).

For latching relays, the alarm LEDs reflects the status of the relays, regardless of the alarm condition. The following tables illustrate how the alarm LEDs function in relation to the relays and the acknowledge button (Default: F3 key assigned to ACK):

Latching and Non-Latching Relay Operation

The relays can be set up for latching (manual reset) or non-latching (automatic reset) operation.

Relay terminology for following tables

| Terminology | Relay Condition |
|-------------|-----------------|
| On | Alarm (Tripped) |
| Off | Normal (Reset) |
| Ack | Acknowledged |

The On and Off terminology does not refer to the status of the relay's coil, which depends on the fail-safe mode selected.



Warning!

In latching relay mode, latched relays will reset (unlatch) when power is cycled.

Non-Latching Relay (RUKO)**Automatic reset only**

| Condition | LED | Relay |
|-----------------|-----|-------|
| Normal | Off | Off |
| Alarm | On | On |
| Ack (No effect) | On | On |
| Normal | Off | Off |

In this application, the meter is set up for automatic reset (non-latching relay). Acknowledging the alarm while it is still present has no effect on either the LED or the relay. When the alarm finally goes away, the relay automatically resets and the LED also goes off.

Non-Latching Relay (R-RRR)**Automatic + manual reset at any time**

| Condition | LED | Relay |
|------------|-----|-------|
| Normal | Off | Off |
| Alarm | On | On |
| Normal | Off | Off |
| Next Alarm | On | On |
| Ack | On | Off |
| Normal | Off | Off |

In this application, the meter is set up for automatic and manual reset at any time (non-latching relay). The LED and the relay automatically reset when the meter returns to the normal condition.

The next time an alarm occurs, the operator acknowledges the alarm manually while the alarm condition still exists. This causes the relay to reset, but the LED stays on until the meter returns to the normal condition.

Latching Relay (LRLLH)**Manual reset any time**

| Condition | LED | Relay |
|-----------|-----|-------|
| Normal | Off | Off |
| Alarm | On | On |
| Ack | Off | Off |

In this application, the meter is set up for manual reset at any time. Acknowledging the alarm even if the alarm condition is still present resets the relay and turns off the LED.

Latching Relay (L_L-L_r)

Manual reset only after alarm condition has cleared

| Condition | LED | Relay |
|-----------------|-----|-------|
| Normal | Off | Off |
| Alarm | On | On |
| Ack (No effect) | On | On |
| Normal | On | On |
| Ack | Off | Off |

In this application, the meter is set up for manual reset only after the signal passes the reset point (alarm condition has cleared). Acknowledging the alarm while it is still present has no effect on either the LED or the relay. When the alarm is acknowledged after it returns to the normal state, the LED and the relay go off. Notice that the LED remains on, even after the meter returns to the normal condition. This is because, for latching relays, the alarm LED reflects the status of the relay, regardless of the alarm condition.

Acknowledging Relays

There are two ways to acknowledge relays programmed for manual reset:

- Via the programmable front panel function keys F1-F3 (Default: F3 assigned to ACK)
- Remotely via a normally open pushbutton wired across one of the digital inputs and the +5 V terminals on the digital I/O modules.

When the ACK button or the assigned digital input is closed, all relays programmed for manual reset are acknowledged.

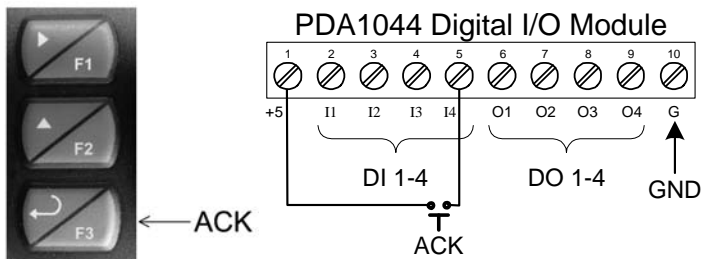
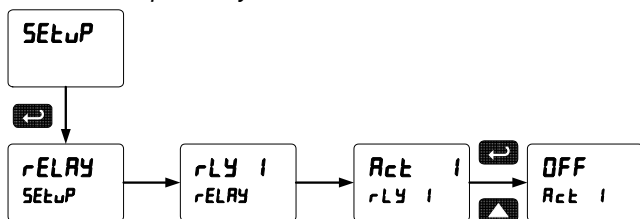


Figure 19: Acknowledge Relays w/Function Key or Digital Input

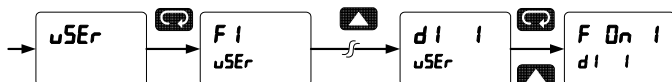
Setting Up the Interlock Relay (Force On) Feature

Relays 1-4 can be set up as interlock relays. To set up the relays for the interlock feature:

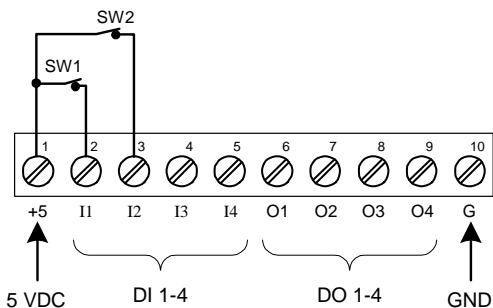
1. Access the *Setup – Relay – Action* menu and set the action to off.



2. In the Advanced features – *User* menu program any of the digital inputs to *Force On* any of the internal relays (1-4).



3. Connect a switch or dry contact between the +5V terminal and the corresponding digital input (dl-1 to dl-4) terminal.



Interlock Relay Operation Example

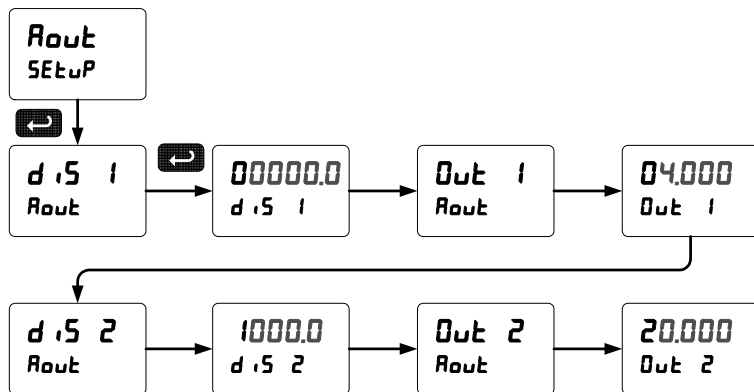
Relays 1 & 2 are configured to energize (their front panel LEDs are off) when SW1 & SW2 switches (above) are closed. If the contacts to these digital inputs are opened, the corresponding front panel LEDs flash indicating this condition. The processes being controlled by the interlock relay will stop, and will re-start only after the interlock relay is re-activated by the digital inputs (switches).

Scaling the 4-20 mA Analog Output (R_{out})

The 4-20 mA analog output can be scaled to provide a 4-20 mA signal for any display range selected.

No equipment is needed to scale the analog output; simply program the display values to the corresponding mA output signal.

The *Analog Output* menu is used to program the 4-20 mA output based on display values.



For instructions on how to program numeric values see *Setting Numeric Values*, page 36.

Setting Up the Password (PASS)

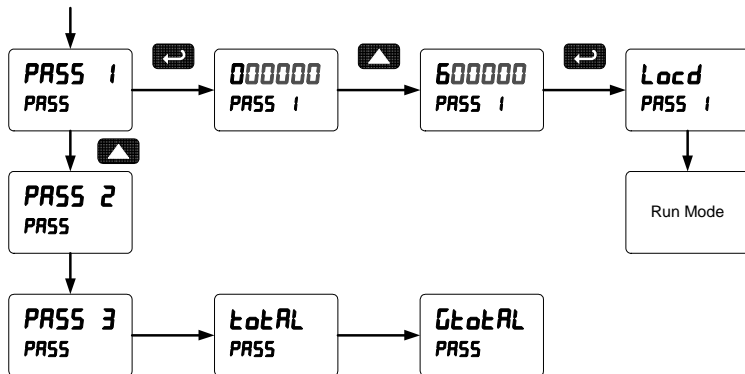
The *Password* menu is used for programming three levels of security to prevent unauthorized changes to the programmed parameter settings and to program the non-resettable totalizer.

- Pass 1: Allows use of function keys and digital inputs
- Pass 2: Allows use of function keys, digital inputs and editing set/reset points
- Pass 3: Restricts all programming, function keys, and digital inputs.
- Total: Prevents resetting the total manually
- Gtotal: Prevents resetting the grand total manually

Protecting or Locking the Meter

Enter the *Password* menu and program a six-digit password.

For instructions on how to program numeric values see *Setting Numeric Values*, page 36.



Record the password for future reference. If appropriate, it may be recorded in the space provided.

| | |
|----------------|----------------|
| Model: | |
| Serial Number: | |
| Password 1: | __ __ __ __ __ |
| Password 2: | __ __ __ __ __ |
| Password 3: | __ __ __ __ __ |
| Total | __ __ __ __ __ |
| GTotal | __ __ __ __ __ |

Total Reset Password & Non-Resettable Total

The total and the grand total can be password-protected to prevent unauthorized total resets.

The grand total can be programmed as a non-resettable total by entering the password "050873".



Caution!

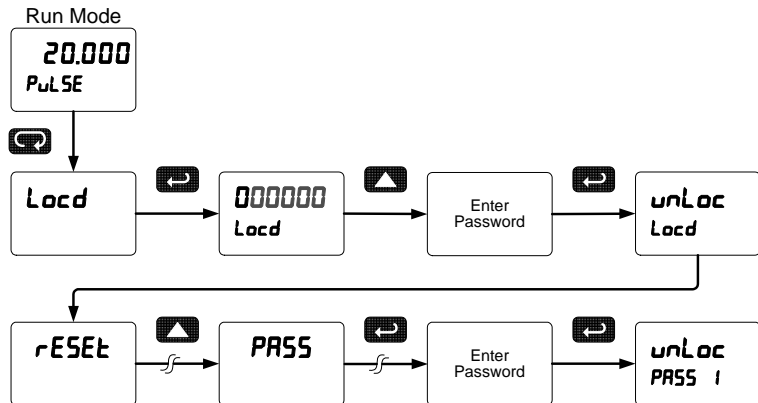
Once the Grand Total has been programmed as "non-resettable" the feature **cannot** be disabled.

Making Changes to a Password Protected Meter

If the meter is password protected, the meter will display the message *Locd* (*Locked*) when the Menu button is pressed. Press the Enter button while the message is being displayed and enter the correct password to gain access the menu. After exiting the programming mode, the meter returns to its password protected condition.

Disabling Password Protection

To disable the password protection, access the *Password* menu and enter the correct password twice, as shown below. The meter is now unprotected until a new password is entered.



If the correct six-digit password is entered, the meter displays the message *unLoc* (*unlocked*) and the protection is disabled until a new password is programmed.

If the password entered is incorrect, the meter displays the message *Locd* (*Locked*) for about two seconds, and then it returns to Run Mode. To try again, press Enter while the *Locked* message is displayed.

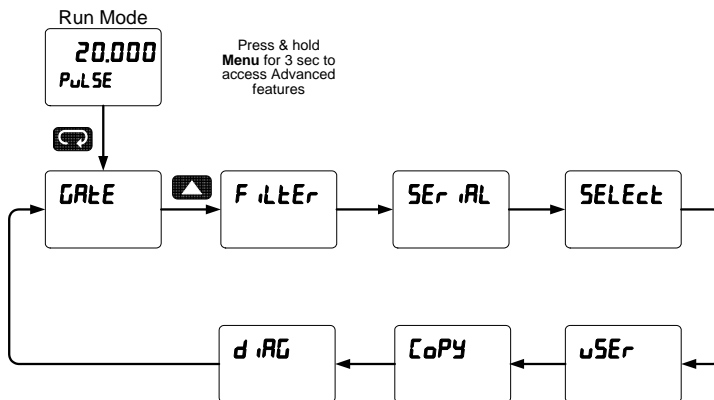
Did you forget the password?

The password may be disabled by entering a master password once. If you are authorized to make changes, enter the master password 508655 to unlock the meter.

Advanced Features Menu

To simplify the setup process, functions not needed for most applications are located in the *Advanced Features* menu.

Press and hold the Menu button for three seconds to access the advanced features of the meter.



Advanced Features Menu & Display Messages

The following table shows the functions and messages of the *Advanced Features* menu in the order they appear in the menu.

| Display | Parameter | Action/Setting |
|-----------|---------------------------|---|
| GATE | Gate | Enter Gate function menu |
| Lo G | Low gate | Program Low gate value |
| Hi G | High gate | Program High gate value |
| FILTER | Filter | Enter the Filter menu |
| Lo SPD | Low speed | Set the contact de-bounce filter value |
| Hi SPD | High speed | Select high speed filter |
| SERIAL | Serial | Set serial communication parameters |
| SLAVE ID | Slave ID | Set slave ID or meter address |
| BAUD | Baud rate | Select baud rate |
| TR DELAY | Transmit delay | Set transmit delay for serial communication |
| PARITY | Parity | Select parity Even, Odd, or None with 1 or 2 stop bits |
| TIME BYTE | Time byte | Set byte-to-byte timeout |
| SELECT | Select | Enter the Select menu (function, cutoff, out) |
| FUNCTION | Signal input conditioning | Select linear only, other functions are not applicable to pulse input |
| LINEAR | Linear | Set meter for linear function and select number of linearization points |
| NOPTS | Number of points | Set meter for 2 to 32-point linearization |
| CUTOFF | Cutoff | Set low-flow cutoff |
| ROUTPR | Analog output programming | Program analog output parameters |
| SOURCE | Source | Select source for the 4-20 mA output |
| ORRNG | Overrange | Program mA output for display overrange |

| Display | Parameter | Action/Setting |
|---------|-------------------------|--|
| u-rRnG | <i>Underrange</i> | Program mA output for display underrange |
| rh RH | <i>Maximum</i> | Program maximum mA output allowed |
| rh rl | <i>Minimum</i> | Program minimum mA output allowed |
| CRl bu | <i>Calibrate</i> | Calibrate 4-20 mA output (internal reference source used for scaling the output) |
| 4 rh R | <i>4 mA output</i> | Enter mA output value read by milliamp meter with at least 0.001 mA resolution |
| 20 rh R | <i>20 mA output</i> | Enter mA output value read by milliamp meter with at least 0.001 mA resolution |
| uSEr | <i>User I/O</i> | Assign function keys and digital I/O |
| F 1 | <i>F1 function key</i> | Assign F1 function key |
| F 2 | <i>F2 function key</i> | Assign F2 function key |
| F 3 | <i>F3 function key</i> | Assign F3 function key |
| d 1 i | <i>Digital input 1</i> | Assign digital input 1 – 8, if expansion modules are connected |
| d 0 i | <i>Digital output 1</i> | Assign digital output 1 – 8, if expansion modules are connected |
| CRPY | <i>Copy</i> | Enter copy function |
| SEnd | <i>Send</i> | Send meter settings to another meter |
| donE | <i>Done</i> | Copy function completed |
| d rG | <i>Diagnostics</i> | Display parameter settings |
| F iLEr | <i>Filter</i> | Display filter selection |
| Functn | <i>Function</i> | Function selected |
| SCALE | <i>Scale</i> | Scaling parameter |
| FRctOr | <i>K-factor</i> | K-factor value |
| GRtE | <i>Gate</i> | Gate settings |

| Display | Parameter | Action/Setting |
|----------------|----------------------------------|--------------------------------------|
| <i>Cutoff</i> | <i>Cutoff</i> | Cutoff value |
| <i>t t b</i> | <i>Total time base</i> | Set time period |
| <i>t CF</i> | <i>Total conversion factor</i> | Set conversion factor |
| <i>t r 5t</i> | <i>Total reset</i> | Set reset method |
| <i>GT t b</i> | <i>Grand total time base</i> | Set grand total time period |
| <i>GT CF</i> | <i>GT conversion factor</i> | Set grand total conversion factor |
| <i>GT r 5t</i> | <i>Grand total</i> | Set grand total reset method |
| <i>dSPLY</i> | <i>Display</i> | Display assignments |
| <i>rELAY</i> | <i>Relays</i> | Relay settings |
| <i>Rout</i> | <i>Analog output</i> | Analog output scaling |
| <i>RoutPr</i> | <i>Analog output programming</i> | Analog output programming |
| <i>SEr iRL</i> | <i>Serial</i> | Serial communication settings |
| <i>LEd t</i> | <i>LED test</i> | Test all LEDs |
| <i>inFo</i> | <i>Information</i> | Display software and S/N information |

Modbus RTU Serial Communications (SEr ,AL)

The meter is equipped with serial communications capability as a standard feature using Modbus RTU Serial Communication Protocol. To communicate with a computer or other data terminal equipment, an RS-232 or RS-422/485 adapter option is required; see *Ordering Information* on page 8 for details.

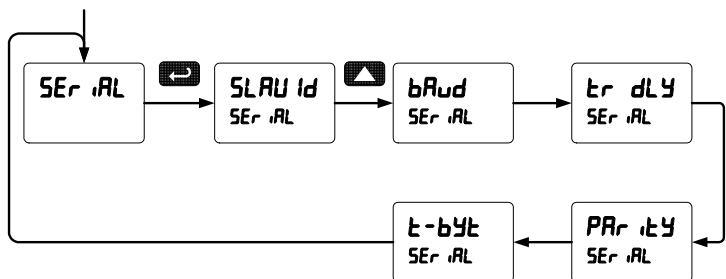


Warning!

Do not connect any equipment other than Precision Digital's expansion modules, cables, or meters to the RJ45 M-LINK connector. Otherwise damage will occur to the equipment and the meter.

Note: More detailed instructions are provided with each optional serial communications adapter.

Note: Refer to the PROVu[®] Modbus Register Tables located at www.predig.com for details.

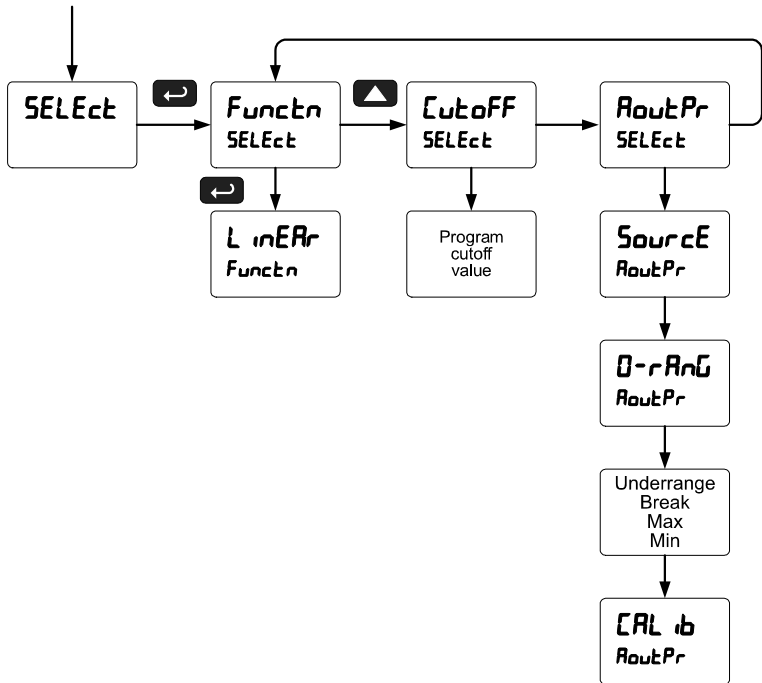


When using more than one meter in a multi-drop mode, each meter must be provided with its own unique address. The meter address (Slave ID) may be programmed between 1 and 247. The transmit delay may be set between 0 and 199 ms. The parity can be set to even, odd, or none with 1 or 2 stop bits.

The PD6300 can also be connected to another PD6300 with a special PDA1200 cable, allowing the user to copy all the settings from one meter to another, using the *Copy* function.

Select Menu (SELEct)

The *Select* menu is used to select the signal input conditioner applied to the input (linear), low-flow cutoff, and analog output programming. The multi-point linearization is part of the linear function selection.



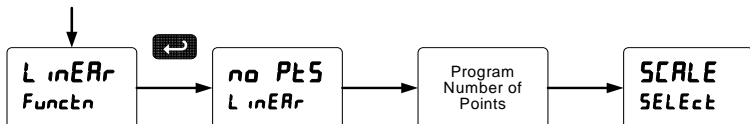
Signal Input Conditioning (Functn)

The *Function* menu is used to select the signal input conditioner applied to the input: linear, where the multi-point linearization is part of the linear function selection.

Meters are set up at the factory for linear function with 2-point linearization. The linear function provides a display that is linear with respect to the input signal.

Multi-Point Linearization (L inERr)

Meters are set up at the factory for linear function with 2-point linearization. Up to 32 linearization points can be selected under the linear function. The multi-point linearization can be used to linearize the display for non-linear signals.



Low-Flow Cutoff (Cutoff)

The low-flow cutoff feature allows the meter to be programmed so that the often-unsteady output from a differential pressure transmitter, at low flow rates, always displays zero on the meter.

The cutoff value may be programmed from 0 to 999999. The meter will display zero below the cutoff value. Programming the cutoff value to zero disables the cutoff feature.

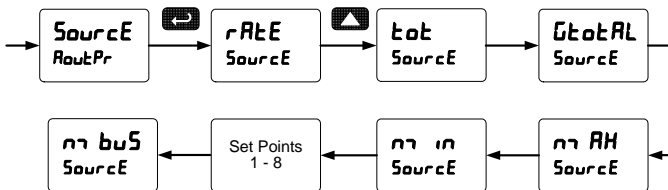
Analog Output Programming (RoutPr)

The *Analog Output Programming* menu is used to program the behavior of the 4-20 mA output. The following parameters and functions are programmed in this menu:

1. Source: Source for generating the 4-20 mA output (e.g. PV)
2. Overrange: Analog output value with display in overrange condition
3. Underrange: Analog output value with display in underrange condition
4. Max: Maximum analog output value allowed regardless of input
5. Min: Minimum analog output value allowed regardless of input
6. Calibrate: Calibrate the internal 4-20 mA source reference used to scale the 4-20 mA output

Analog Output Source

The source for generating the 4-20 mA output may be assigned to the rate/process variable, total, grand total, maximum or minimum value reached by the rate/process, one of the set points, or the Modbus PV input.

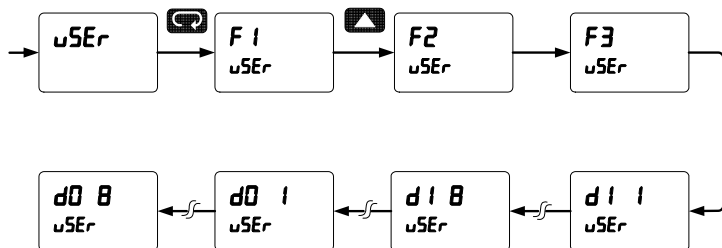


Analog Output Calibration

To perform the analog output calibration it's recommended to use a milliamp meter with a resolution of at least 0.1 μ A to measure the output current. The values saved internally during this procedure are used for scaling the 4-20 mA output in the *Setup* menu.

Programmable Function Keys User Menu (uSEr)

The *User* menu allows the user to assign the front panel function keys F1, F2, F3 and up to eight digital inputs to access most of the menus or to activate functions immediately (e.g. Reset max & min). Up to eight digital outputs can be assigned to a number of actions and functions executed by the meter (e.g. Alarms, relay acknowledgement, etc.).



Function Keys & Digital I/O Available Settings

| Display | Description | Display | Description |
|------------------|--------------------|--------------------|------------------------|
| <i>RcH</i> | Acknowledge relays | <i>b i HL</i> | Max/min big display |
| <i>rESEt</i> | Reset menu | <i>L i t t L E</i> | Little display menu |
| <i>rSt t</i> | Reset total | <i>L i t H i</i> | Max on little display |
| <i>rSt Gt</i> | Reset grand total | <i>L i t Lo</i> | Min on little display |
| <i>rSt H i</i> | Reset max | <i>L i t HL</i> | Max/min little display |
| <i>rSt Lo</i> | Reset min | <i>d i sAbL</i> | Disable function key |
| <i>rSt HL</i> | Reset max & min | <i>m Enu</i> | Menu button |
| <i>rELAY</i> | Relay menu | <i>r i G h t</i> | Right arrow button |
| <i>SEt i</i> | Set point 1 - 8 | <i>uP</i> | Up arrow button |
| <i>rLY d</i> | Disable relay | <i>En t Er</i> | Enter button |
| <i>rLY E</i> | Enable relay | <i>ALn 1</i> | Alarm 1 - 8 |
| <i>0 HoLd</i> | Relay output hold | <i>F on 1</i> | Force on relay 1 |
| <i>dSPLY</i> | Display menu | <i>F on 2</i> | Force on relay 2 |
| <i>b i G</i> | Big display menu | <i>F on 3</i> | Force on relay 3 |
| <i>b i G H i</i> | Max on big display | <i>F on 4</i> | Force on relay 4 |
| <i>b i G Lo</i> | Min on big display | | |

Meter Copy Function (Копия)

The *Copy* function is used to copy (or clone) all the settings from one meter to other meters requiring exactly the same setup and programming (*i.e.* type of input, scaling, decimal point, filter, gate, etc.).



Only the PDA1200 meter copy cable must be used for meter-to-meter interfacing. The PDA1200 is a special eight-conductor flat cable with two wires swapped. Using standard CAT5 or other cable will cause damage to both meters.

PDA1200 Meter Copy Cable



Figure 20: Meter Copy Connection

Copy Function Requirements

To successfully copy settings from one meter to another, both meters must have:

- 1. Same software version*
- 2. Same baud rate setting*

See *Determining Software Version*, page 83 for instructions.

Meter Copy or Cloning Instructions**Caution!**

Do not connect the two meters to the same signal source while cloning. Internal calibration may be affected.

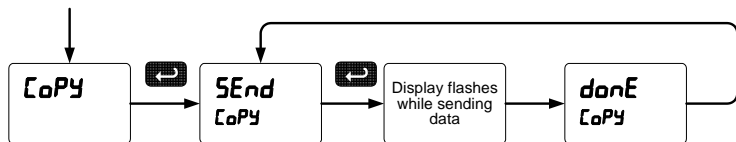
1. Connect two meters using a PDA1200 meter copy cable.

**Warning!**

Use PDA1200 meter copy cable only!

Using standard CAT5 or other cable will cause damage to both meters.

2. Do not connect the two meters to the same signal source.
3. Power up both meters. Leave Clone meter in Run Mode.
4. Enter the *Advanced Features* menu of the Master meter see *Advanced Features Menu* page 70.
5. Scroll to the *Copy* function using the Up arrow button then press Enter.
6. The meter displays the message *SEnd*. Press Enter, the display flashes while sending data. The message *donE* is displayed when copying is completed.



7. The Clone meter displays the message *CPY rE* while being programmed then the message *donE* when copying is completed. The meter initializes and returns to Run Mode using the same settings as the Master.
8. If meter to be cloned does not respond to the data being sent, refer to ***Copy Function Requirements*** above.





METER OPERATION

The meter accepts pulses (e.g. $\pm 40\text{mV}$ to $\pm 8\text{V}$), square wave (0-5, 0-12V, or 0-24V), open collector NPN, PNP, TTL, or switch contact signals and displays these signals in engineering units from -99999 to 999999.

The dual-line display can be customized by the user to operate in such a way as to satisfy a specific application. Typically the main display is used for the process variable; while the second display is used for engineering units, custom legend, total, grand total, or set point indication.

The meter can be set up to display the pulse input on the main display and the Modbus input on the second display. The relays and analog output can be programmed to operate from the Modbus PV input.

Front Panel Buttons Operation

| Button Symbol | Description |
|---|---|
|  | Press to enter or exit Programming Mode, view settings, or exit max/min readings |
|  | Press to reset max/min readings or other parameter/function assigned through the <i>User</i> menu |
|  | Press to display max/min readings or other parameter/function assigned through the <i>User</i> menu |
|  | Press to acknowledge relays or other parameters/function assigned through the <i>User</i> menu |

Function Keys Operation

During operation, the programmable function keys operate according to the way they have been programmed in the *Advanced Features – User* menu.

The table above shows the factory default settings for F1, F2, and F3.

Maximum/Minimum Readings

The max & min readings (peak & valley) reached by the process can be displayed either continuously or momentarily:

1. Display briefly by assigning to the F1-F3 function keys or to the digital inputs in the *User* menu.
2. Display continuously by assigning either display to max/min through the *Display* menu.

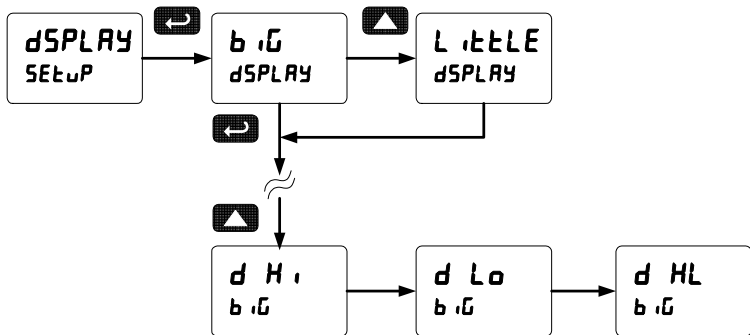
Any of the F1-F3 function keys (buttons) and the digital inputs can be programmed to reset the max & min readings. The meters are set at the factory to display the max reading by pressing the Up arrow/F2 button and to use the Right arrow/F1 button to access the *Reset* menu.

To display max reading using function key with factory defaults:

1. Press Up arrow/F2 button to display maximum reading since the last reset/power-up.
2. To reset max/min press Right arrow/F1 button to access the Reset menu. The max & min displays are reset to actual values.
3. Press Menu to exit max/min display reading.

To display max/min readings continuously:

Assign either display to Max (d H i), Min (d L o), or toggle between Max and Min (d HL) every 10 seconds.



TROUBLESHOOTING

The rugged design and the user-friendly interface of the meter should make it unusual for the installer or operator to refer to this section of the manual. However, due to the many features and functions of the meter, it's possible that the setup of the meter does not agree with what an operator expects to see.

If the meter is not working as expected, refer to the *Diagnostics* menu and recommendations below.

Diagnostics Menu (d iRG)

The *Diagnostics* menu is located in the *Advanced Features* menu, to access *Diagnostics* menu see *Advanced Features Menu*, page 70.

It provides an easy way to view the programmed parameter settings for troubleshooting purposes. Press the Enter button to view the settings and the Menu button to exit at any time.

For a description of the diagnostic messages, see *Advanced Features Menu & Display Messages*, page 71.

Determining Software Version

To determine the software version of a meter:

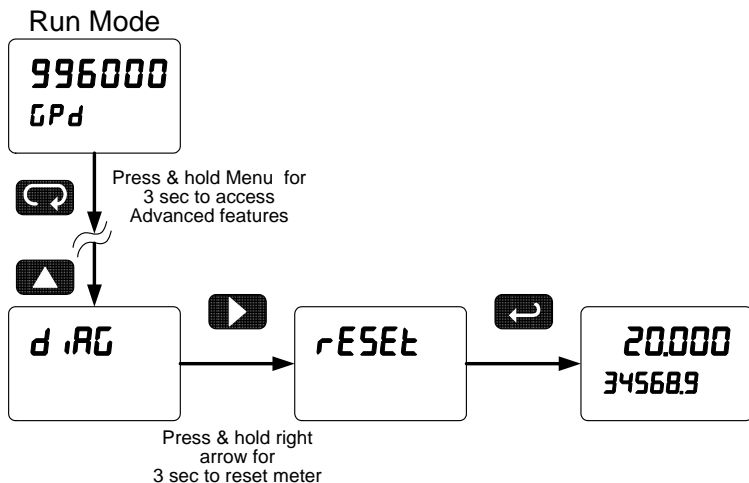
1. Go to the *Diagnostics* menu (d iRG) and press Enter button.
2. Press Up arrow button and scroll to Information menu (i n F d).
3. Press Enter to access the software number (5Ft) and version (iEr) information. Write down the information as it is displayed. Continue pressing Enter until all the information is displayed.
4. The meter returns to Run Mode after displaying all the settings.

Reset Meter to Factory Defaults

When the parameters have been changed in a way that is difficult to determine what's happening, it might be better to start the setup process from the factory defaults.

Instructions to load factory defaults:

1. Enter the *Advanced Features* menu. See *Advanced Features Menu*, page 70.
2. Press Up arrow to go to *Diagnostics* menu
3. Press and hold Right arrow for five seconds, press Enter when display flashes *rESEt*.
Note: If Enter is not pressed within three seconds, the display returns to the *Diagnostics* menu.
4. The meter goes through an initialization sequence (similar as on power-up), and loads the factory default settings.



Factory Defaults & User Settings

The following table shows the factory setting for most of the programmable parameters on the meter. Next to the factory setting, the user may record the new setting for the particular application.

Model: _____ S/N: _____ Date: _____

| Parameter | Display | Default Setting | User Setting |
|-------------------------------|-----------------|------------------|--------------|
| Input type | <i>inPUL</i> | Pulse | |
| Total | <i>YES</i> | Total enabled | |
| Filter | <i>FILTEr</i> | Hi Spd | |
| K-factor | <i>FRctOr</i> | 1.000 | |
| Function | <i>FunctiOn</i> | Linear | |
| Number of points | <i>no Pts</i> | 2 | |
| Input 1 | <i>inP 1</i> | 00000.0 | |
| Display 1 | <i>d iS 1</i> | 00000.0 | |
| Input 2 | <i>inP 2</i> | 10000.0 | |
| Display 2 | <i>d iS 2</i> | 10000.0 | |
| Decimal point | <i>dddddd</i> | 1 place | |
| Cutoff value | <i>CuToFF</i> | 0.000 (disabled) | |
| Display assignment | <i>dSPLRy</i> | | |
| Big display (Main) | <i>b iG</i> | Rate/Process | |
| Little display (Small) | <i>L iG</i> | Total value | |
| Display intensity | <i>d- iNtY</i> | 8 | |
| Total time base | <i>t tB</i> | Second | |
| Total conversion factor | <i>t CF</i> | 1.000 | |
| Total reset | <i>t rSt</i> | Manual | |
| Grand total time base | <i>Gt tB</i> | Second | |
| Grand total conversion factor | <i>t CF</i> | 1.000 | |
| Grand total reset | <i>t rSt</i> | Manual | |
| Relay 1 assignment | <i>RS iGn 1</i> | Total | |
| Relay 2 assignment | <i>RS iGn 2</i> | Total | |

| Parameter | Display | Default Setting | User Setting |
|----------------------|---------------|-----------------|--------------|
| Relay 3 assignment | <i>RS 0n3</i> | Rate | |
| Relay 4 assignment | <i>RS 0n4</i> | Rate | |
| Relay 1 action | <i>Act 1</i> | Automatic | |
| Relay 1 set point | <i>SEt 1</i> | 100.0 | |
| Relay 1 reset point | <i>rSEt 1</i> | 000.0 | |
| Relay 2 action | <i>Act 2</i> | Automatic | |
| Relay 2 set point | <i>SEt 2</i> | 200.0 | |
| Relay 2 reset point | <i>rSEt 2</i> | 000.0 | |
| Relay 3 action | <i>Act 3</i> | Automatic | |
| Relay 3 set point | <i>SEt 3</i> | 300.0 | |
| Relay 3 reset point | <i>rSEt 3</i> | 250.0 | |
| Relay 4 action | <i>Act 4</i> | Automatic | |
| Relay 4 set point | <i>SEt 4</i> | 400.0 | |
| Relay 4 reset point | <i>rSEt 4</i> | 350.0 | |
| Fail-safe relay 1 | <i>FLS 1</i> | Off | |
| Fail-safe relay 2 | <i>FLS 2</i> | Off | |
| Fail-safe relay 3 | <i>FLS 3</i> | Off | |
| Fail-safe relay 4 | <i>FLS 4</i> | Off | |
| On delay relay 1 | <i>On 1</i> | 0.0 sec | |
| Off delay relay 1 | <i>OFF 1</i> | 0.0 sec | |
| On delay relay 2 | <i>On 2</i> | 0.0 sec | |
| Off delay relay 2 | <i>OFF 2</i> | 0.0 sec | |
| On delay relay 3 | <i>On 3</i> | 0.0 sec | |
| Off delay relay 3 | <i>OFF 3</i> | 0.0 sec | |
| On delay relay 4 | <i>On 4</i> | 0.0 sec | |
| Off delay relay 4 | <i>OFF 4</i> | 0.0 sec | |
| Display 1 analog out | <i>d iS 1</i> | 0.0 | |
| Output 1 value | <i>Out 1</i> | 4.000 mA | |
| Display 2 analog out | <i>d iS 2</i> | 1000.0 | |
| Output 2 value | <i>Out 2</i> | 20.000 mA | |

| Parameter | Display | Default Setting | User Setting |
|----------------------|-----------------|-----------------------|--------------|
| Source analog output | <i>SOURCE</i> | Rate/process | |
| Overrange output | <i>O-RANGE</i> | 21.000 mA | |
| Underrange output | <i>U-RANGE</i> | 3.000 mA | |
| Maximum output | <i>MAX</i> | 23.000 mA | |
| Minimum output | <i>MIN</i> | 0.000 mA | |
| Slave ID (Address) | <i>SLAVE ID</i> | 247 | |
| Baud rate | <i>BAUD</i> | 9600 | |
| Transmit delay | <i>TR DELY</i> | 10 ms | |
| Parity | <i>PARITY</i> | Even | |
| Byte-to-byte timeout | <i>T-BYTE</i> | 010 (0.1 sec) | |
| F1 function key | <i>F1</i> | Reset max & min | |
| F2 function key | <i>F2</i> | Big display: Max (Hi) | |
| F3 function key | <i>F3</i> | Acknowledge relays | |
| Digital input 1 | <i>DI 1</i> | Menu | |
| Digital input 2 | <i>DI 2</i> | Right arrow | |
| Digital input 3 | <i>DI 3</i> | Up arrow | |
| Digital input 4 | <i>DI 4</i> | Enter | |
| Digital output 1 | <i>DO 1</i> | Alarm 1 | |
| Digital output 2 | <i>DO 2</i> | Alarm 2 | |
| Digital output 3 | <i>DO 3</i> | Alarm 3 | |
| Digital output 4 | <i>DO 4</i> | Alarm 4 | |
| Password 1 | <i>PASS 1</i> | 000000 (unlocked) | |
| Password 2 | <i>PASS 2</i> | 000000 (unlocked) | |
| Password 3 | <i>PASS 3</i> | 000000 (unlocked) | |
| Total password | <i>TOTAL</i> | 000000 (unlocked) | |
| Grand total password | <i>GTOTAL</i> | 000000 (unlocked) | |

Troubleshooting Tips

| Symptom | Check/Action |
|--|---|
| No display at all | Check power at power connector |
| Not able to change setup or programming, <i>Lcd</i> is displayed | Meter is password-protected, enter correct six-digit password to unlock |
| Meter displays error message during calibration (<i>Error</i>) | Check: 1. Signal connections 2. Minimum input span requirements |
| Meter displays 999999 -999999 | Check: 1. Input selected in <i>Setup</i> menu 2. Corresponding signal at Signal connector |
| Display is unstable | Check: 1. Input signal stability and value 2. Display scaling vs. input signal 3. Filter and gate values |
| Display response is too slow | Check filter and gate values |
| Display reading is not accurate | Check: Scaling or calibration |
| Display does not respond to input changes, reading a fixed number | Check: Display assignment, it might be displaying max, min, or set point. |
| Display alternates between 1. <i>H</i> and a number 2. <i>L</i> and a number | Press Menu to exit max/min display readings. |
| Relay operation is reversed | Check: 1. Fail-safe in <i>Setup</i> menu 2. Wiring of relay contacts |
| Relay and status LED do not respond to signal | Check: 1. Relay action in <i>Setup</i> menu 2. Set and reset points |
| Flashing relay status LEDs | Relays in manual control mode or relay interlock switches opened. |
| Meter not communicating with application programs | Check: 1. Serial adapter and cable 2. Serial settings 3. Meter Slave ID and baud rate |
| If the display locks up or the meter does not respond at all | Cycle the power to reboot the microprocessor. |
| Other symptoms not described above | Call Technical Support for assistance. |

Alphabetical List of Display Functions & Messages

| Display | Parameter | Action/Setting Description |
|---------|---------------------------|--|
| 20 mA | 20 mA output | Enter mA output value read by milliamp meter with at least 0.001 mA resolution |
| 4 mA | 4 mA output | Enter mA output value read by milliamp meter with at least 0.001 mA resolution |
| 999999 | Flashing display | Overrange condition |
| RcH | Acknowledge | Acknowledge relays |
| Rct 1 | Action 1 | Set relay 1 action |
| RLn 1 | Alarm 1 | Assign digital output to Alarm 1 – 8 |
| RLtErn | Alternate | Set relay for alternation control (relays assigned to rate) |
| R-man | Auto-manual | Set relay for automatic & manual reset any time |
| Rout | Analog output | Analog output scaling |
| RoutPr | Analog output programming | Analog output programming |
| R5 n 1 | Assign 1 | Relay 1 assignment |
| R55 n | Assignment | Assign relays to rate, total, or grand total |
| Rto | Automatic | Press Enter to set meter for automatic operation |
| Rto | Automatic | For automatic reset |
| bRud | Baud rate | Select baud rate |
| b n | Big display | Press Enter to assign the Main display parameter (default: PV or rate) |
| b n H | Max on big display | Assign digital input to display max on the main display |
| b n HL | Max/min big display | Assign digital input to toggle max/min on the main display |
| b n Lo | Min on big display | Assign the digital input to display min on the main display |
| CRl | Calibrate | Enter the <i>Calibrate</i> menu |

| Display | Parameter | Action/Setting Description |
|---------|-------------------|--|
| Cal | Calibrate | Calibrate 4-20 mA output (internal reference source used for scaling the output) |
| Control | Control | Enter Control menu |
| Copy | Copy | Enter copy function |
| Cutoff | Cutoff | Cutoff value |
| d Hi | Display high | Select to display the max |
| d H&L | Display H&L | Select to display the max & min toggling |
| d Hold | Display hold | Display hold |
| d Lo | Display low | Select to display the min |
| d PCT | Display PCT | Select to display percent of PV1 (dual scale display) |
| d PV | Display PV | Select to display PV |
| d PV1 | Display PV1 | Select to display PV1 (dual scale display) |
| d PV2 | Display PV2 | Select to display PV2 (dual scale display) |
| d r-u | Display r-u | Select to display rate and units |
| d units | Display units | Select to display engineering units or label |
| Dec Pt | Decimal point | Set decimal point for rate, total, grand total |
| Delay | Delay | Enter relay Time Delay menu |
| d I 1 | Digital input 1 | Assign digital input 1-8, if expansion modules are connected |
| d RG | Diagnostics | Display parameter settings |
| d R r | Diameter | Not applicable |
| d-Int | Display intensity | Set display intensity level from 1 to 8 |
| d S 1 | Display 1 | Program display 1 value |
| d S 2 | Display 2 | Program display 2 value |
| d S bL | | Disable function key |
| dL 1 | Delay 1 | Enter relay 1 time delay setup |

| Display | Parameter | Action/Setting Description |
|----------------|--------------------------------------|---|
| <i>dO 1</i> | <i>Digital output 1</i> | Assign digital output 1 – 8, if expansion modules are connected |
| <i>donE</i> | <i>Done</i> | Copy function completed |
| <i>dSEt 1</i> | <i>Display set 1</i> | Select to display set point 1 (1-8) |
| <i>dSPLRy</i> | <i>Display</i> | Enter the <i>Display</i> menu |
| <i>EntEr</i> | <i>Enter</i> | Assign digital input to Enter button/F3 |
| <i>Error</i> | <i>Error</i> | Error, calibration not successful, check signal or programmed value |
| <i>F On 1</i> | <i>Force On 1</i> | Force relay 1 on using digital input (1-4) |
| <i>F 1</i> | <i>F1 function key</i> | Assign F1 function key |
| <i>F 2</i> | <i>F2 function key</i> | Assign F2 function key |
| <i>F 3</i> | <i>F3 function key</i> | Assign F3 function key |
| <i>FR iLSF</i> | <i>Fail-safe</i> | Enter <i>Fail-safe</i> menu |
| <i>F iLEr</i> | <i>Filter</i> | Set noise filter value |
| <i>FLS 1</i> | <i>Fail-safe 1</i> | Set relay 1 fail-safe operation |
| <i>ForcE</i> | <i>Force</i> | Force analog output value for loop break |
| <i>FuncEo</i> | <i>Function</i> | Select linear only, other functions are not applicable |
| <i>G tOtAL</i> | <i>Grand total</i> | Assign relay to grand total |
| <i>Gt CF</i> | <i>Grand total conversion factor</i> | Program grand total conversion factor |
| <i>Gt rSt</i> | <i>Grand total reset</i> | Program grand total rest mode: auto or manual |
| <i>Gt tB</i> | <i>Grand total time base</i> | Program grand total time base |
| <i>GtOtAL</i> | <i>Grand total password</i> | Set or enter password for manual reset |
| <i>InfO</i> | <i>Information</i> | Display software and S/N information |
| <i>inP 1</i> | <i>Input 1</i> | Calibrate input 1 signal or program input 1 value |

| Display | Parameter | Action/Setting Description |
|----------------|--------------------------------------|---|
| <i>inP 2</i> | <i>Input 2</i> | Calibrate input 2 signal or program input 2 value (up to 32 points) |
| <i>inPUL</i> | <i>Input</i> | Input selection |
| <i>LRLCH</i> | <i>Latching</i> | Set relay for latching operation (relays assigned to rate) |
| <i>LED t</i> | <i>LED test</i> | Test all LEDs |
| <i>LEnGth</i> | <i>Length</i> | Not applicable |
| <i>L inERr</i> | <i>Linear</i> | Set meter for linear function and select number of linearization points |
| <i>L t Gt</i> | <i>Grand total on little display</i> | Assign the digital input to display the grand total on the little display |
| <i>L t H i</i> | <i>Max on little display</i> | Assign digital input to display max on the small display |
| <i>L t HL</i> | <i>Max/min little display</i> | Assign the digital input to toggle max/min on the small display |
| <i>L t Lo</i> | <i>Min on little display</i> | Assign digital input to display min on the small display |
| <i>L tLE</i> | <i>Little display</i> | To assign the small display parameters |
| <i>Locd</i> | <i>Locked</i> | Enter password to unlock meter |
| <i>LE-CLR</i> | <i>Latching-cleared</i> | Set relay for latching operation with manual reset only after alarm condition has cleared (relays assigned to rate) |
| <i>rr Rn</i> | <i>Manual</i> | To manually control |
| <i>rr RH</i> | <i>Maximum</i> | Program maximum mA output allowed |
| <i>rr bUS</i> | <i>Modbus</i> | Select to display Modbus input or to assign Modbus input as the analog output source |
| <i>rr Enu</i> | <i>Menu button</i> | Assign digital input to Menu button |
| <i>rr in</i> | <i>Minimum</i> | Program minimum mA output allowed |
| <i>no PLS</i> | <i>Number of points</i> | Set meter for 2 to 32-point linearization |
| <i>nonrSt</i> | <i>Non-resettable</i> | Non-resettable grand total set after entering "050873" for Gtotal password |
| <i>H Hold</i> | <i>Relays output hold</i> | Assign digital input to hold all relays state |

| Display | Parameter | Action/Setting Description |
|---------|-----------------------|--|
| OFF | Off | Disable relay and front panel status LED, turn relays off, program off time delay |
| OFF 1 | Off | Disable relay and front panel status LED, turn relays off, program off time delay |
| On | On | Enable fail-safe operation, turn relays on, program on time delay |
| On 1 | On | Set relay 1 On time delay |
| 0-rAnG | Overrange | Program mA output for display overrange |
| Out 1 | Output 1 | Program output 1 value (e.g. 4.000 mA) |
| Out 2 | Output 2 | Program output 2 value (e.g. 20.000 mA) |
| PASS | Password | Enter the Password menu |
| PASS 1 | Password 1 | Set or enter Password 1 |
| PASS 2 | Password 2 | Set or enter Password 2 |
| PASS 3 | Password 3 | Set or enter Password 3 |
| Prog | Program | Enter the Program menu |
| Prog E | Programmable exponent | Set meter for programmable exponent and enter exponent value |
| rRate | Rate | Assign relay to rate |
| rRELY | Relay | Enter the Relay menu |
| rRESEt | Reset | To access the Reset menu |
| rht | Round horizontal tank | Set meter for round horizontal tank volume calculation |
| r rht | Right arrow | Assign digital input to Right arrow button/F1 |
| rLY 1 | Relay 1 | Relay 1 setup |
| rLY 2 | Relay 2 | Relays 2-8 setup Note: Relays 5-8 are shown, only if expansion relay module is installed. |
| rLY d | Disable relay | Assign digital input to disable all relays |
| rLY E | Enable relay | Assign digital input to enable all relays |
| rSEt 1 | Reset 1 | Program reset point 1 |

| Display | Parameter | Action/Setting Description |
|----------|--------------------------------|---|
| r5t Gt | <i>Reset grand total</i> | To reset grand total |
| r5t Hi | <i>Reset high</i> | Press Enter to reset max display |
| r5t HL | <i>Reset high & low</i> | Press Enter to reset max & min displays |
| r5t Lo | <i>Reset low</i> | Press Enter to reset min display |
| r5t t | <i>Reset total</i> | Reset total |
| SRnPL | <i>Sampling</i> | Set relay for sampling operation |
| SCALE | <i>Scale</i> | Enter the <i>Scale</i> menu |
| SElect | <i>Select</i> | Enter the Select menu (function, cutoff, out) |
| SEnd | <i>Send</i> | Send meter settings to another meter |
| SEr iAL | <i>Serial</i> | Set serial communication parameters |
| SEt 1 | <i>Set 1</i> | Program set point 1 |
| SEtUP | <i>Setup</i> | Enter <i>Setup</i> menu |
| SLAVE id | <i>Slave ID</i> | Set Slave ID or meter address |
| Source | <i>Source</i> | Select source for the 4-20 mA output |
| SqurRE | <i>Square root</i> | Not applicable |
| t CF | <i>Total conversion factor</i> | Program total conversion factor |
| t dLY | <i>Time delay</i> | Program time delay for total auto reset |
| t r5t | <i>Total reset</i> | Program total rest mode: auto or manual |
| t tb | <i>Total time base</i> | Program total time base |
| toeAL | <i>Total</i> | Enable or disable totalizer features |
| tr dLY | <i>Transmit delay</i> | Set transmit delay for serial communication |
| unLoc | <i>Unlocked</i> | Program password to lock meter |
| uP | <i>Up arrow</i> | Assign digital input to up arrow button/F2 |
| u-rRnG | <i>Underrange</i> | Program mA output for display underrange |
| u5Er | <i>User I/O</i> | Assign function keys and digital I/O |

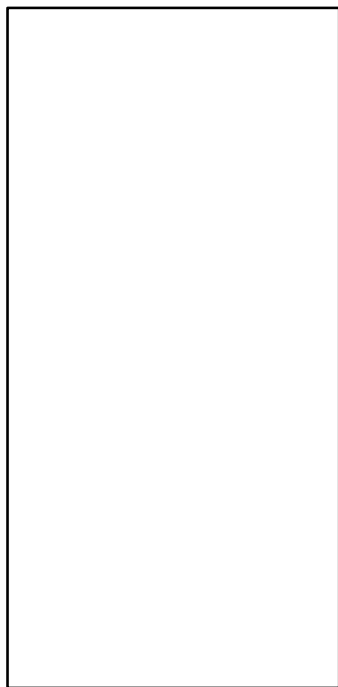


Figure 21: 1/8 DIN Panel Cutout Template

How to Contact Precision Digital

- For Technical Support please
Call: (800) 610-5239 or (508) 655-7300
Fax: (508) 655-8990
Email: support@predig.com
- For Sales Support or to place an order please
Call: (800) 343-1001 or (508) 655-7300
Fax: (508) 655-8990
Email: sales@predig.com
- For the latest version of this manual please visit
www.predig.com

