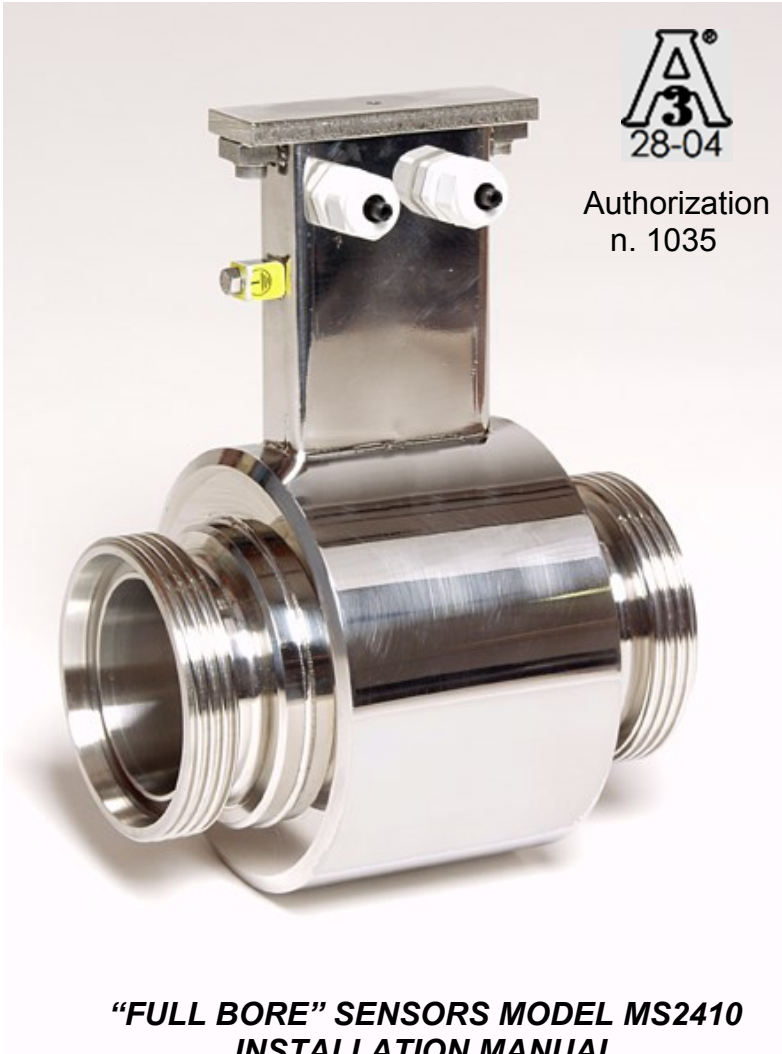


ISOMAG

The friendly magmeter

ELECTROMAGNETIC FLOW METER



CE

INDEX

INTRODUCTION	3
START UP AND MAINTENANCE OF THE INSTRUMENTS	3
SAFETY	4
GENERAL INFORMATION ON THE SENSORS INSTALLATION	5
ELECTRICAL CONNECTIONS OF SENSOR TO CONVERTER	6
GROUNDING INSTRUCTIONS	6
OVERALL DIMENSIONS	7
THREADED CONNECTIONS	7
CLAMP CONNECTIONS	8
INSPECTION SCREWS	9
CONFORMITY DECLARATION	ERRORE. IL SEGNALIBRO NON È DEFINITO.
ADDRESSES	12









INTRODUCTION

- **This manual is integral part of the product. Read carefully the instructions contained since it contains important indications for the safety of use and of maintenance.**
- **The technical information and the relative products of this manual could be modified without any previous notice.**
- **The flow meter must be used for the use it has been built for. The improper use, possible tampering of the instrument or parts of it and substitutions of any components not original, makes the warranty to decay automatically.**
- **The manufacturer is considered responsible only if the instrument is used in its original configuration and setting.**
- **The flowmeter makes measures of liquids with conductivity greater than $5\mu\text{S}/\text{cm}$; it consists of a sensor (described in this manual) and a converter, for it see the manual provided.**
- **If the sensor is supplied in compact version to the converter, consider the operating temperatures more restrictive, otherwise refer to the respective manuals (page 5).**
- **When transporting, unpacking and handling the flowmeter, be careful and care.**
- **In the case of prolonged storage and of transport, use and store in the original container in a dry place, do not place more than 3 packs one above the other. It is possible pallets storage and transport (in case of wooden crates do not place one above the other).**
- **For the cleaning of the device use only a damp cloth, and for the maintenance/repairs, contact the customer service.**
- **For the disposal of the device and of the packaging make strict reference to the regulations.**
- **It is forbidden the reproduction of the present manual and of possible software supplied with the instrument.**

START UP AND MAINTENANCE OF THE INSTRUMENTS

- **Before starting up the instrument, always make a sure connection to ground as suitable to page 6.**
- **Verify periodically: the cables integrity, the tightening of the sealing elements (cable glands, covers, etc.), the mechanical fixing of the instrument on the pipe or on the wall stand.**

SAFETY

-   → Before using the instrument, always make a sure connection to the ground
-   → Avoid any attempt to repair the instrument. If the instrument is not functioning properly, please call the nearest assistance service
-   → Pay maximum attention during the operations
-  → ATTENTION !!!
-  → DANGER !!!

GENERAL INFORMATION ON THE SENSORS INSTALLATION

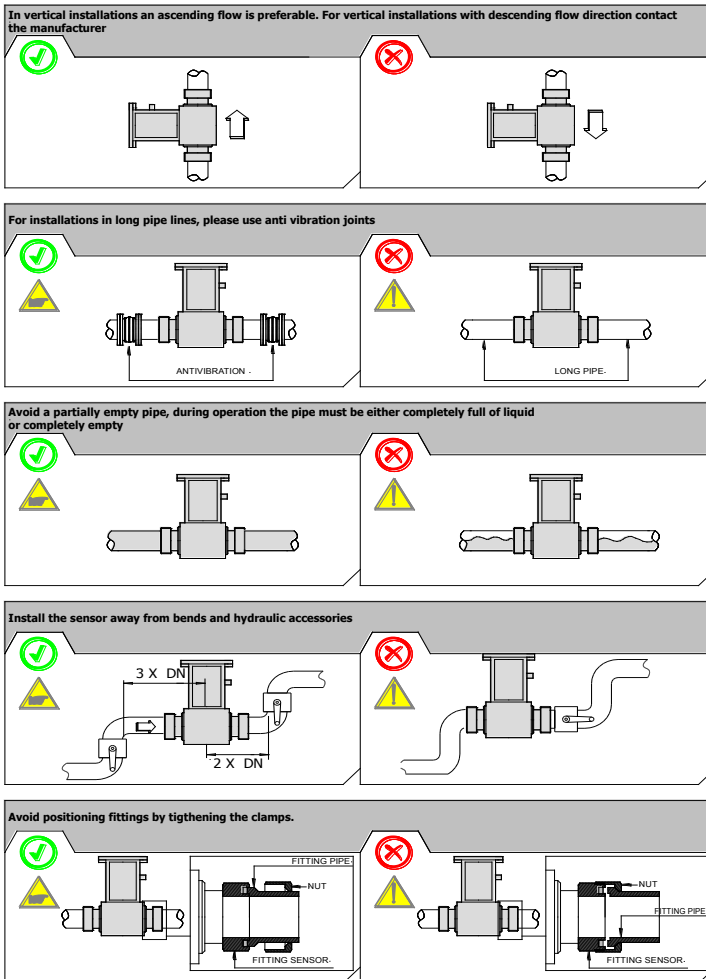
The manufacturer recommend to clean the instruments before use

Flow direction

Before install the sensor locate the direction of the liquid in the piping

The sign of the flow rate is **positive**, when the flow direction is from **- to +** as printed on the tag plate.

If after the installation, for plant request becomes necessary reverse the sign of the flow, it is enough reverse the sign of the coefficient KA



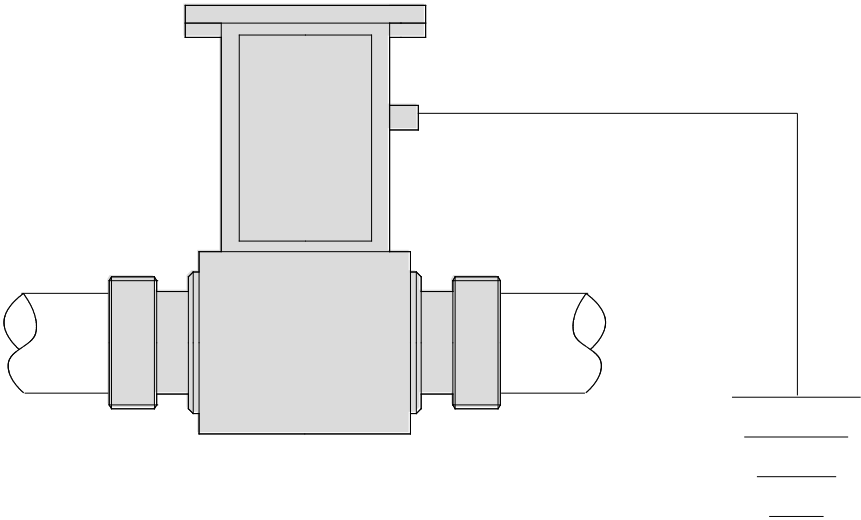
ELECTRICAL CONNECTIONS OF SENSOR TO CONVERTER

(CONNECTIONS TO CONVERTER: SEE PROPER MANUAL)

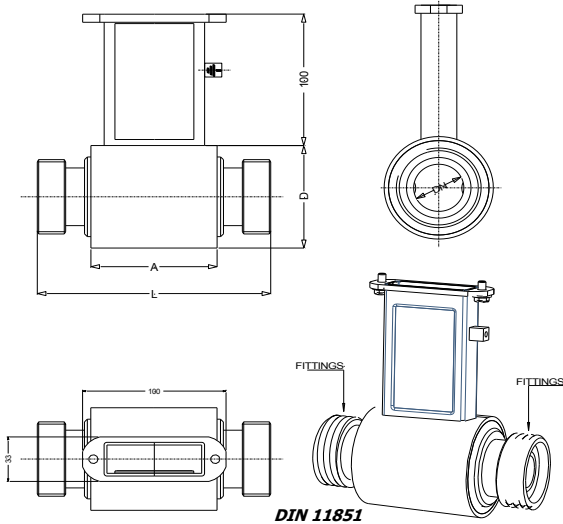
GROUNDING INSTRUCTIONS



For correct operation of the meter is NECESSARY that the sensor and the liquid are equipotential, so ALWAYS connect the sensor and converter to ground:



OVERALL DIMENSIONS THREADED CONNECTIONS



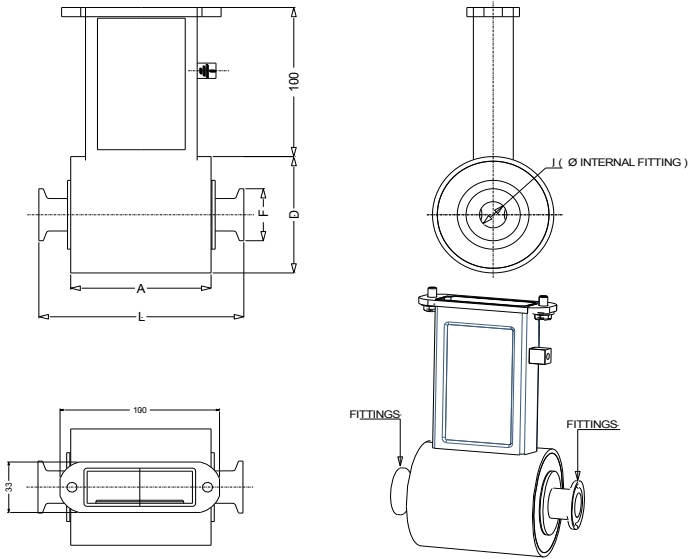
DIMENSIONS mm (inches)	DN											
	3 (1/8")	6 (1/4)	10 (3/8)	15 (1/2")	20 (3/4")	25 (1")	32 (1"1/4)	40 (1"1/2)	50 (2")	65 (2"1/2)	80 (3")	100 (4")
A	77 (3.03)	77 (3.03)	77 (3.03)	77 (3.03)	77 (3.03)	100 (3.94)	100 (3.94)	100 (3.94)	100 (3.94)	100 (3.94)	100 (3.94)	100 (3.94)
L	128 (5.04)	128 (5.04)	128 (5.04)	128 (5.04)	128 (5.04)	180 (7.09)	180 (7.09)	180 (7.09)	180 (7.09)	180 (7.09)	200 (7.87)	200 (7.87)
D	76 (3)	76 (3)	76 (3)	76 (3)	76 (3)	76 (3)	89 (3.50)	89 (3.50)	114 (4.49)	140 (5.51)	140 (5.51)	168 (6.61)
CONNECTIONS	DN 10	DN 10	DN 10	DN 15	DN 20	DN25	DN 32	DN 40	DN 50	DN 65	DN 80	DN 100

SMS-1146

DIMENSIONS mm (inches)									
	10 (3/8)	15 (1/2")	20 (3/4")	25 (1")	40 (1"1/2)	50 (2")	65 (2"1/2)	80 (3")	100 (4")
A	77 (3.03)	77 (3.03)	77 (3.03)	100 (3.94)	100 (3.94)	100 (3.94)	100 (3.94)	100 (3.94)	100 (3.94)
L	128 (5.04)	128 (5.04)	128 (5.04)	180 (7.09)	180 (7.09)	180 (7.09)	180 (7.09)	200 (7.87)	200 (7.87)
D	76 (3)	76 (3)	76 (3)	76 (3)	89 (3.50)	114 (4.49)	140 (5.51)	140 (5.51)	168 (6.61)
CONNECTIONS	DN 25	DN 25	DN 25	DN25	DN 38	DN 51	DN 63	DN 76	DN 104

**NB :With DIN connection use suitable gasket for cleaning in place (CIP) application
SMS 1146 connection is only suitable for cleaning out of place (COP)**

CLAMP CONNECTIONS



CLAMP ISO 2852

DIMENSIONS mm (inches)	DN										
	3 (1/8")	6 (1/4)	10 (3/8)	15 (1/2")	20 (3/4")	25 (1")	40 (1 1/2)	50 (2")	65 (2 1/2)	80 (3")	100 (4")
A	77 (3.03)	77 (3.03)	77 (3.03)	77 (3.03)	77 (3.03)	100 (3.94)	100 (3.94)	100 (3.94)	100 (3.94)	100 (3.94)	100 (3.94)
L	128 (5.04)	128 (5.04)	128 (5.04)	128 (5.04)	128 (5.04)	180 (7.09)	180 (7.09)	180 (7.09)	180 (7.09)	200 (7.87)	200 (7.87)
D	76 (3)	76 (3)	76 (3)	76 (3)	76 (3)	76 (3)	89 (3.50)	114 (4.49)	140 (5.51)	140 (5.51)	168 (6.61)
I	12.7 (0.5)	12.7 (0.5)	12.7 (0.5)	17.2 (0.68)	21.3 (0.84)	22.6 (0.89)	35.6 (1.40)	48.6 (1.91)	60.3 (2.37)	72.9 (2.87)	97.6 (3.84)
F	34 (1.34)	34 (1.34)	34 (1.34)	34 (1.34)	34 (1.34)	50.5 (1.99)	50.5 (1.99)	64 (2.52)	77.5 (3.05)	91 (3.58)	119 (4.69)

CLAMP BS 4825 Part3

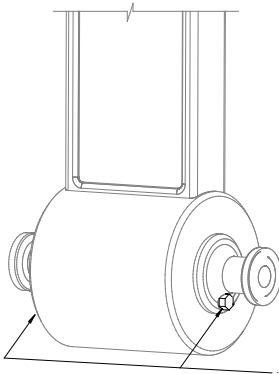
DIMENSIONS mm (inches)	DN										
	3 (1/8")	6 (1/4)	10 (3/8)	15 (1/2")	20 (3/4")	25 (1")	40 (1 1/2)	50 (2")	65 (2 1/2)	80 (3")	100 (4")
A	77 (3.03)	77 (3.03)	77 (3.03)	77 (3.03)	77 (3.03)	100 (3.94)	100 (3.94)	100 (3.94)	100 (3.94)	100 (3.94)	100 (3.94)
L	128 (5.04)	128 (5.04)	128 (5.04)	128 (5.04)	128 (5.04)	180 (7.09)	180 (7.09)	180 (7.09)	180 (7.09)	200 (7.87)	200 (7.87)
D	76 (3)	76 (3)	76 (3)	76 (3)	76 (3)	76 (3)	89 (3.50)	114 (4.49)	140 (5.51)	140 (5.51)	168 (6.61)
I	9.5 (0.37)	9.5 (0.37)	9.5 (0.37)	15.85 (0.62)	22.2 (0.87)	22.2 (0.87)	34.9 (1.37)	47.6 (1.87)	60.3 (2.37)	73 (2.87)	97.6 (3.84)
F	25.4 (1)	25.4 (1)	25.4 (1)	25.4 (1)	50.5 (1.99)	50.5 (1.99)	50.5 (1.99)	64 (2.52)	77.5 (3.05)	91 (3.58)	119 (4.69)

INSPECTION SCREWS

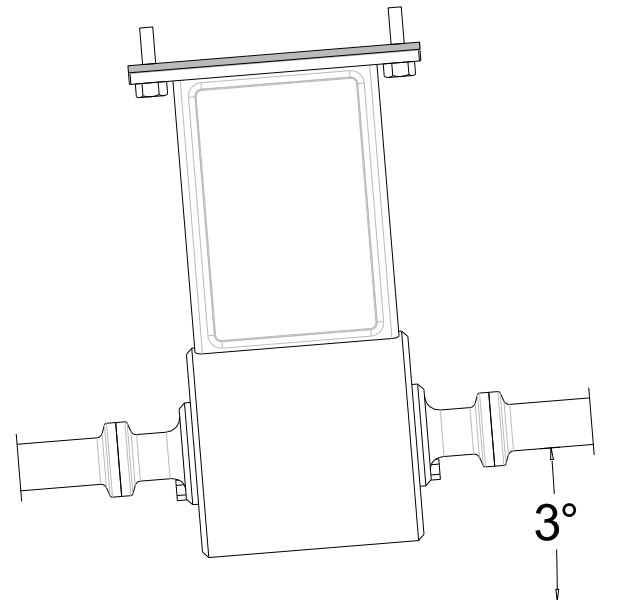
Verify periodically the sensor's seals integrity: with piping full of liquid, unscrew the **Inspection screws** (see drawing aside) and verify the total absence of liquid from inspection hole!

After the above operation, REMEMBER to close again the holes.

In case of leakage contact immediately our Customer Service.



Inspection
screw



When flow meter is installed horizontally, ensure minimum angle of 3° for self-draining purposes

At the end of its lifetime, this product shall be disposed of in full compliance with the environmental regulations of the state in which it is located.

ADDRESSES

Isoil Industria spa

Head office

20092 Cinisello Balsamo (MI) Italy

27, via F.lli Gracchi

Phone +39-02-66027.1

Fax +39-02-6123202

E-mail: sales@isoil.it

Web: www.isoil.com

Service

Isoil Industria spa

20092 Cinisello Balsamo (MI) Italy

27, via F.lli Gracchi

Phone +39-02-66027.1

Fax +39-02-6123202

E-mail: isomagservice@isoil.it

