

2001V SERIES

INDUSTRIAL DUTY TUBING PUMPS

Designed to meet the demanding requirements of chemical injection, dispensing and transfer applications



Exceptional self-priming capabilities make the 2001V Series an ideal choice for hard-to-handle chemicals such as sodium hypochlorite, hydrogen peroxide or viscous polymers.

An extremely wide range of flow outputs can be obtained by simply changing the tubing size.

One size pumphead accepts six standard tubing sizes. The sealed, spring-loaded pumphead rollers provide extended tubing life and automatically compensate for minor variations in pump tube wall thickness.

K4-24 CONTROLLER

The 2001V Series controller mounts on a wall or panel away from harsh chemicals. The rugged NEMA 4X motor drive controller is easy to program and extremely reliable.



SAFETY FIRST - Sealed Pumphead Design - Tubing Rupture Detector

An optional tubing rupture detector will automatically shut down the pump and signal an alarm in the event of a tubing leak.

Together, the unique sealed pump design and the Tubing Rupture Detector help to protect operators and other equipment from potentially dangerous fumes and chemicals.



PERISTALTIC PUMPS

2001V SERIES FEATURES

- Flows to 52.5 GPH, Pressures to 100 psi.*
- Accepts 6 different tubing sizes
- Spring-loaded roller assembly
- Sealed pumphead
- Rugged modular design
- Seal-less pumping technology
- Self-priming – suction lifts to 30 ft.
- No check valves – few moving parts
- Dry run capability
- Selectable manual or automatic control

* Pressure rating dependent on tubing size.



FLOMOTION 2001V SERIES ENGINEERING SPECIFICATIONS

MECHANICAL

- 1/3HP TEFC Inverter Duty, 56C
- Explosion proof, washdown and DC motors available
- Gearbox: Corrosion Resistant Epoxy Coated
- Pump weight: 35 lbs
- Controller weight: 7 lbs

TUBING DESCRIPTIONS

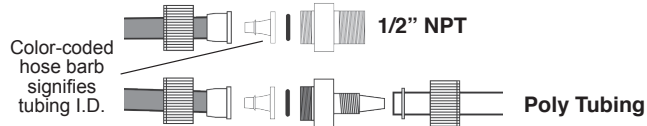
- FLOPRENE™ - Thermoplastic elastomer

Other tubing materials are available

K4-24 CONTROLLER

- Wall mount with LED display
 - Integral 8 button keypad
 - Forward/Reverse capability
 - NEMA 4X enclosure
 - 115/230VAC input, 1-Phase
 - 230VAC 3-phase output to motor
 - Integral Power Disconnect (opt.)
- Input / Output:
 - Remote or manual speed control input (4-20mA, DC voltage or frequency)
 - Start/Stop control input
 - Local/Remote Select input
 - Tubing Rupture input
 - Pump Running output (running/stopped)
 - Speed Feedback output (4-20mA)
 - Status output (auto/manual)
 - Fault output

ACCESSORIES - Tubing Adapters



V Series Estimated Pumping Capacity*						
Tubing No.	#119	#120	#15	#24	#35	#36
Tubing Size (ID)	1.6mm (1/16")	3.2mm (1/8")	4.8mm (3/16")	6.4mm (1/4")	8mm (5/16")	9.6mm (3/8")
gph@ 0.5 - 96 rpm (V22)	0.004 - 0.7 (0.2 - 43 ml/m)	0.02 - 2.9 (0.9 - 180 ml/m)	0.03 - 6.2 (2.1 - 394 ml/m)	0.06 - 11.3 (3.7 - 710 ml/m)	0.09 - 16.7 (5.5 - 1056 ml/m)	0.11 - 21.9 (7.2 - 1382 ml/m)
gph@ 1.6 - 230 rpm (V50)	0.01 - 1.6 (0.7 - 104 ml/m)	0.05 - 6.9 (3.0 - 432 ml/m)	0.10 - 14.9 (6.6 - 943 ml/m)	0.19 - 27.0 (11.8 - 1702 ml/m)	0.28 - 40.1 (17.6 - 2530 ml/m)	0.37 - 52.5 (23.0 - 3312 ml/m)
Max Pressure (psi)	100	100	80	60	30	30
ml/rev*	0.45	1.88	4.1	7.4	11	14.4

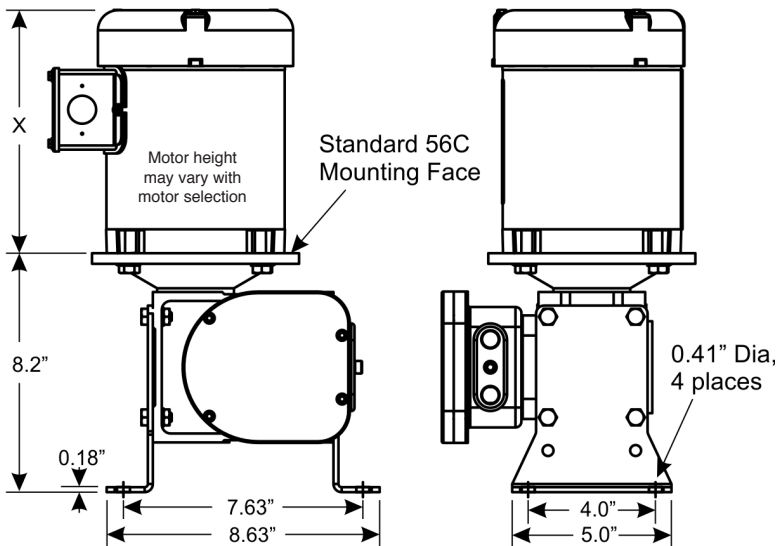
*Actual flow rates may vary

AGENCY APPROVALS

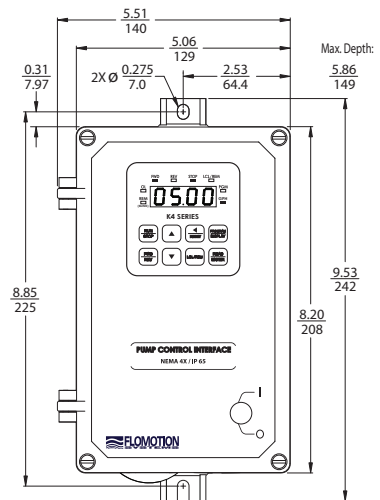


DIMENSIONS

2001V Series Motor and Pump



K4-24 Wall Mount Controller



FLOMOTION SYSTEMS Inc.

3 North Main St.
Middleport, NY 14105
Tel: 716-691-3941
Fax: 716-691-1253
Email: info@flomotionsystems.com
www.flomotionsystems.com

