

MS600

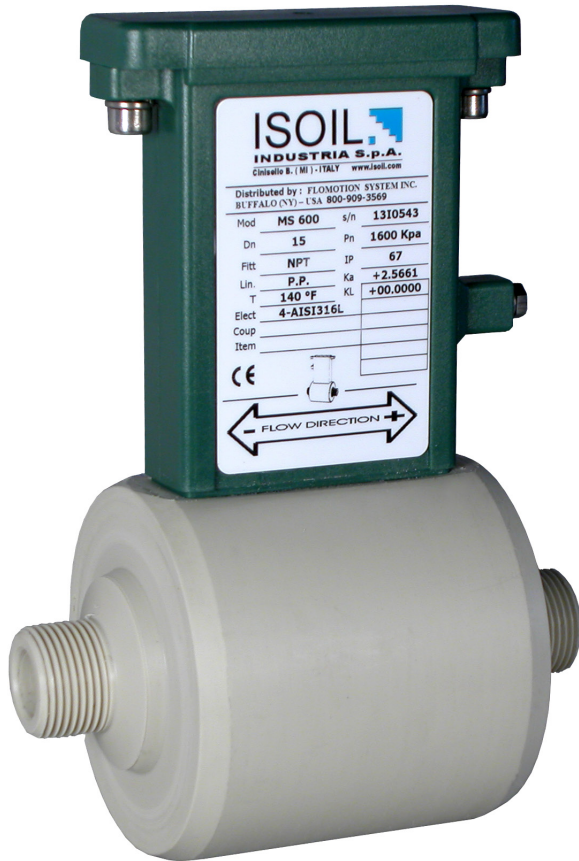
ISOMAG



FLOMOTION
SYSTEMS

MICROFLOW ELECTROMAGNETIC FLOWMETERS

Reliable full-pipe flow measurement with high accuracy,
ease of installation and low cost



The economical, all-plastic MS600 can be equipped with a local or remote mounted converter.

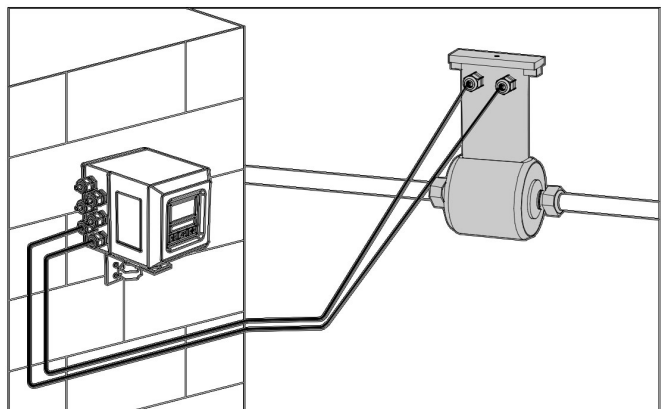
TYPICAL APPLICATIONS

- Process Chemicals
- Polymers
- Wastewater
- Lime Slurries
- Dyes
- Admixtures
- Acids
- Caustics
- Slurries
- Water
- Starches

MS600 FEATURES

- Low Cost
- Accuracy to $\pm 0.2\%$ of rate from 1 to 33 ft/sec.
- Five sizes from 1/8" to 3/4" Pipe Diameters
- Flow ranges from .03 to 49.8 GPM
- Standard pressure: 230 PSI
- Volumetric flow rate measurement independent of fluid viscosity, density and temperature
- No moving parts for zero maintenance
- Bi-directional flow measurement
- No pressure drop through sensor
- Minimal straight pipe run required
- Every sensor is factory wet-calibrated

SEPARATE VERSION



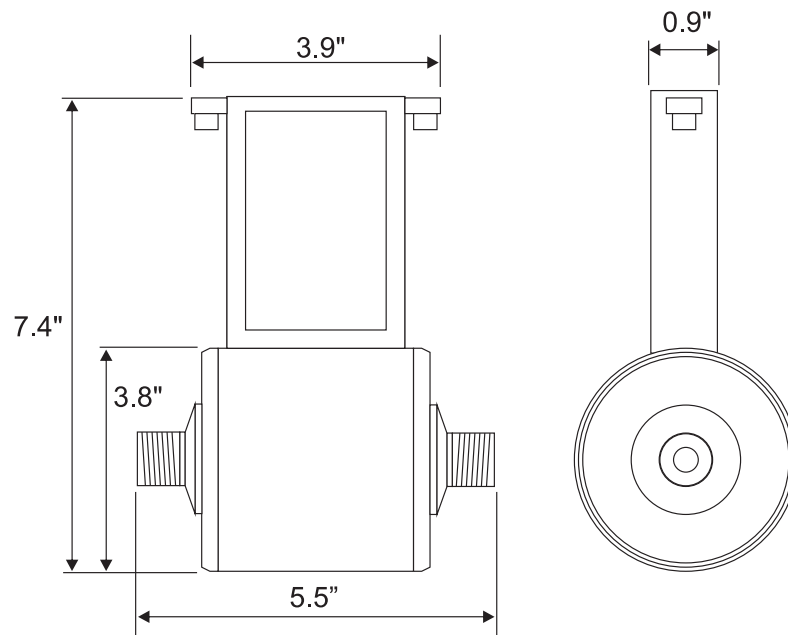
ELECTROMAGNETIC FLOWMETER

FLOMOTION MS600 ENGINEERING SPECIFICATIONS

- Accuracy: See relevant converter data sheet
- Repeatability: $\pm 0.2\%$
- Temperature: Process: 32 to 140 °F
- Pressure: 230 PSI (higher pressures upon request)
- Liner Material: Polypropylene
- Body Material: Polypropylene
- Number of Electrodes: 3 (2 Flow, 1 Ground)
- Environmental Rating: NEMA 4X
- Fluid Conductivity: 5 $\mu\text{S}/\text{cm}$ (min)
- Electrode Material: 316 S.S. (Hastelloy C, Titanium, Tantalum or Platinum are optional)

AVAILABLE SIZES AND DIMENSIONS

Size (in.)	1/8	1/4	3/8	1/2	3/4
Min Flow Rate (gpm @ 1 ft/sec)	.034	0.14	0.38	0.85	1.52
Max Flow Rate (gpm @ 33 ft/sec)	1.12	4.49	12.46	28.03	49.84
Weight (lbs.)	4.85	4.85	4.85	4.85	4.85
Fittings (NPT)	1/4"	3/8"	1/2"	3/4"	1"



FLOMOTION SYSTEMS Inc.

3 North Main St.
Middleport, NY 14105
Tel: 716-691-3941
Fax: 716-691-1253
Email: info@flomotionsystems.com
www.flomotionsystems.com

