

MS5000

ISOMAG 



FLOMOTION
SYSTEMS

ELECTROMAGNETIC FLOWMETERS

Unique Low-Cost Corrosion Resistant Design with Quick Hose Clamp Mounting



The economical polyurethane MS5000 includes built-in o-ring seals and speedy "clamp-on" installation. The sensor can be equipped with a local or remote mounted converter.

TYPICAL APPLICATIONS

- Polymers
- Wastewater
- Lime Slurries
- Dyes
- Admixtures
- Acids
- Caustics
- Slurries
- Water
- Starches
- Irrigation



The MS5000 easily clamps onto pipe stubs..

MS5000 FEATURES

- Accuracy to $\pm 1\%$ of rate from 1 to 33 ft/sec.
- Three sizes from 1" to 3" Pipe Diameters
- Flow ranges from 2.4 to 800 GPM
- Standard pressure: 90 PSI
- Volumetric flow rate measurement independent of fluid viscosity, density and temperature
- No moving parts for zero maintenance
- Bi-directional flow measurement
- No pressure drop through sensor
- Minimal straight pipe run required
- Every sensor is factory wet-calibrated.



The MS5000 monitoring a small WWTP effluent line.

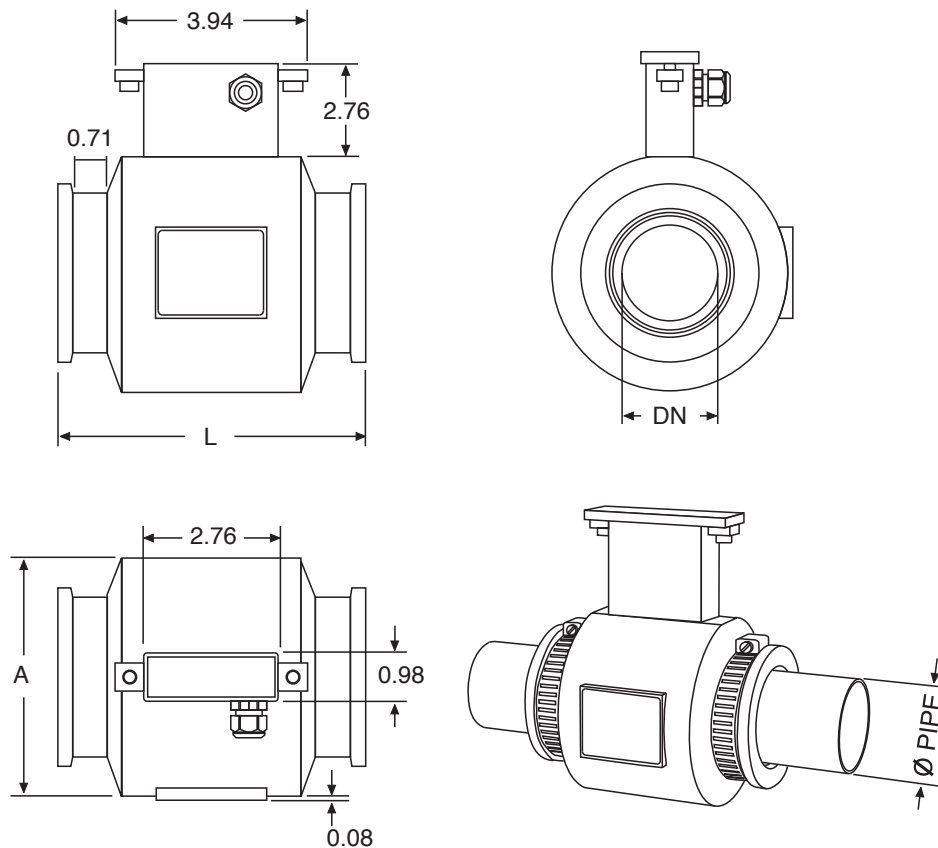
ELECTROMAGNETIC FLOWMETER

FLOMOTION MS5000 ENGINEERING SPECIFICATIONS

- Accuracy: $\pm 1\%$ of rate from 1 to 33 ft/sec.
- Repeatability: $\pm 0.5\%$
- Temperature: Process: 32 to 122 °F
- Pressure: 90 PSI
- Lining Material: Polyurethane Rubber
- Body Material: Polyurethane Rubber
- Electrode Material: 316 S.S. (Hastelloy C, Titanium opt.)
- Number of Electrodes: 3 (2 Flow, 1 Ground)
- Environmental Rating: Compact Version - IP67 / NEMA 6
Temporary Submersion Remote Version - IP68 / NEMA 6P -
Extended Submersion (sensor)
- Fluid Conductivity: 5 $\mu\text{S}/\text{cm}$ (min.)

AVAILABLE SIZES AND DIMENSIONS

Size	1"	2"	3"
Min Flow Rate (gpm @ 1 ft/sec)	2.37	9.49	24.30
Max Flow Rate (gpm @ 33 ft/sec)	77.9	311.5	797.4
Length (L below)	5.32	6.30	7.48
Body Diameter (A below)	3.15	4.88	6.06
Pipe Diameter (\varnothing below)	1.33	2.37	3.50



FLOMOTION SYSTEMS Inc.

3 North Main St.
Middleport, NY 14105
Tel: 716-691-3941
Fax: 716-691-1253
Email: info@flomotionsystems.com
www.flomotionsystems.com

