

FR17E SERIES

EXPLOSION PROOF INDUSTRIAL HOSE PUMPS

Designed to meet the demanding requirements of chemical injection, dispensing and transfer applications.



FR17E

The FR17E is a two roller peristaltic pump designed to handle abrasive slurries, viscous fluids, and aggressive chemicals that are normally difficult to pump with other types of positive displacement technologies.

The FR17E is an ideal choice for metering, batching and transfer applications. Peristaltic pumps are becoming the standard for hard to handle fluids such as Sodium Hypochlorite that off-gas and vapor-lock diaphragm pumps, as well as Methenol where intrinsic ratings are required.

Three models are available that offer a wide range of flow rate outputs. Newer hose materials offer better chemical resistance and longer life in demanding applications.



FR17E FEATURES

- Flows to 138 GPH, Pressures to 60 psi.
- Viscosities to 15,000 cps.
- Seal-less pumping technology.
- Self-priming suction lifts to 20ft vertical.
- Non-lubricant filled roller design.
- Hose barb, NPT and flanged process connections.
- No check valves - few moving parts.
- Dry running without damage.

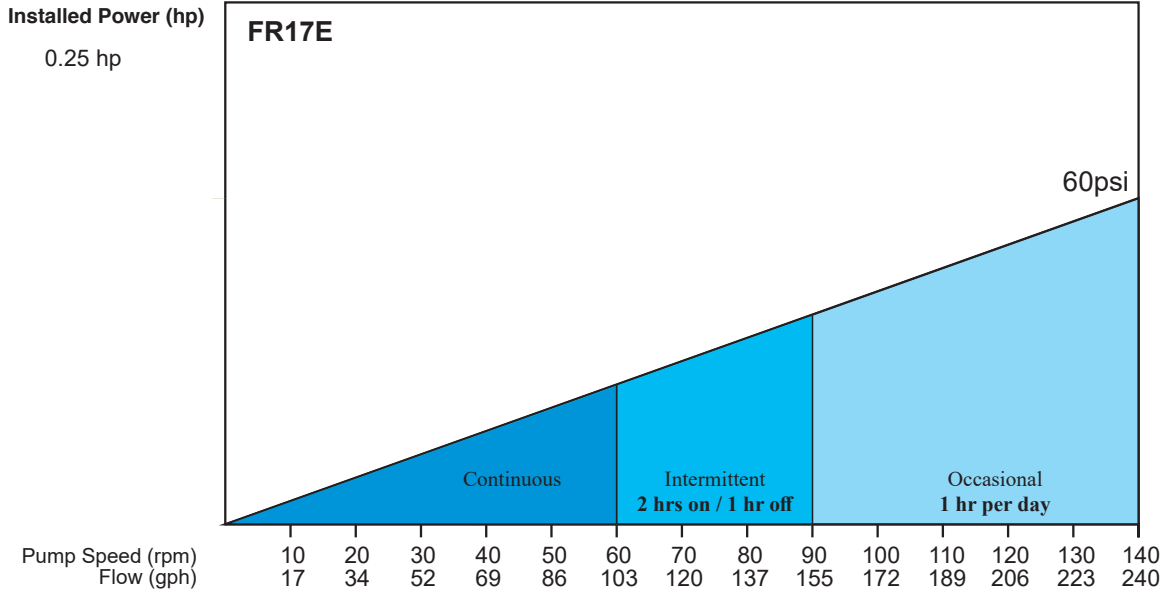
PERISTALTIC PUMPS

FLOMOTION FR17E SERIES ENGINEERING SPECIFICATIONS

FR SERIES PUMP SPECIFICATIONS

	FR13	FR17	FR17E	FR25	FR30	FR45
	GPH (GPM)	GPH (GPM)	GPH (GPM)	GPH (GPM)	GPH (GPM)	GPH (GPM)
Flow Rate (max)	52.9 (0.9)	138 (1.9)	138 (1.9)	390 (6.5)	777 (13)	2319 (38)
Discharge Pressure (psi)*	60	60	60	60	60	60
Suction Lift (ft)	20	20	20	20	20	20
Weight (lbs)	30	40	40	47	172	275

* Pressure rating dependent on tubing material.



FR17E SPECIFICATIONS AND DIMENSIONS

in [mm]

MOTOR
1/4HP, 230VAC, 3-PH,
C1D2, EX-PROOF, 56C
WITH OVEN CURED
EPOXY POWDER COAT FINISH

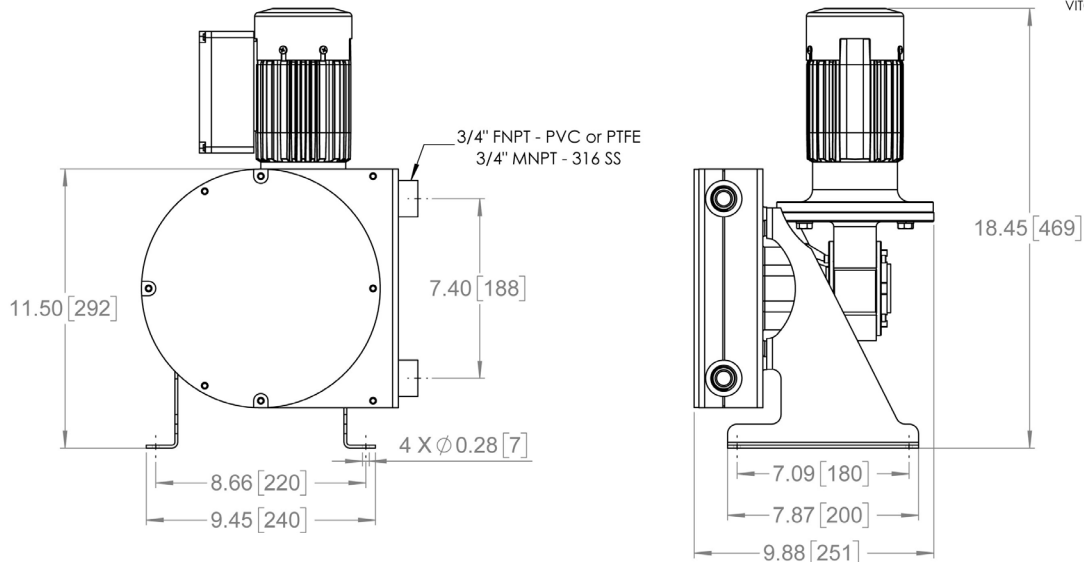
GEARBOX
DIECAST ALUMINUM,
CORROSION RESISTANT
EPOXY COATED

PUMPHHEAD
ALUMINUM WITH CORROSION
RESISTANT INDUSTRIAL DUTY PAINT AND
ELECTROPLATED STEEL COVER WITH
PLEXIGLASS WINDOW

ROLLER ASSEMBLY
ADJUSTABLE
ALUMINUM/ELECTROPLATED STEEL
WITH NYLATRON MD ROLLERS
AND SEALED BEARINGS

PROCESS CONNECTIONS
3/4" FNPT - PVC or PTFE
3/4" MNPT - 316 SS

HOSE MATERIAL
NATURAL RUBBER
EPDM
BUNA-N
HYPALON
VITON



FLOMOTION SYSTEMS Inc.

3 North Main St.
Middleport, NY 14105
Tel: 716-691-3941

Email: info@flomotionsystems.com
www.flomotionsystems.com

