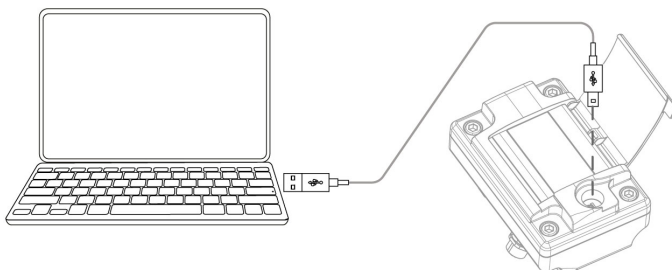


# MV800

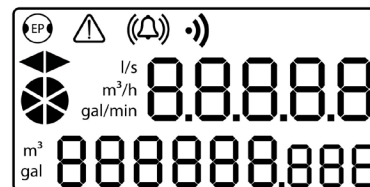
## ULTRA COMPACT CONVERTER/TRANSMITTER For Electromagnetic Flow Meters

### ML800 FEATURES

- Ultra compact converter suitable for connection to ISOMAG ® MS1000 or MS2500 sensors up to 16 inches.
- Suitable for flow measurement of liquids with a minimum conductivity of 20  $\mu\text{S}/\text{cm}$ .
- Measuring accuracy +/- 0.5% of reading.
- Cast aluminum or 304 SS housing
- Nema 6 (IP 67) protection rating.
- Power supply 10 - 30 VDC @1W, electrical connections via 5-pin connector.
- Up to two digital pulse outputs and/or 4-20mA outputs available.
- PC programming via USB cable and dedicated software (MCP Protocol)
- No moving parts.
- Bi-directional flow measurement.
- Every sensor is factory wet calibrated and tested.



### ML800 DISPLAY



 EMPTY PIPE WARNING

 ALARM WARNING

 PROCESS ALARM

 DATA TRANSMISSION

 FLOW DIRECTION

 ACTIVE FLOW RATE

 FLOW RATE MEASURE UNIT

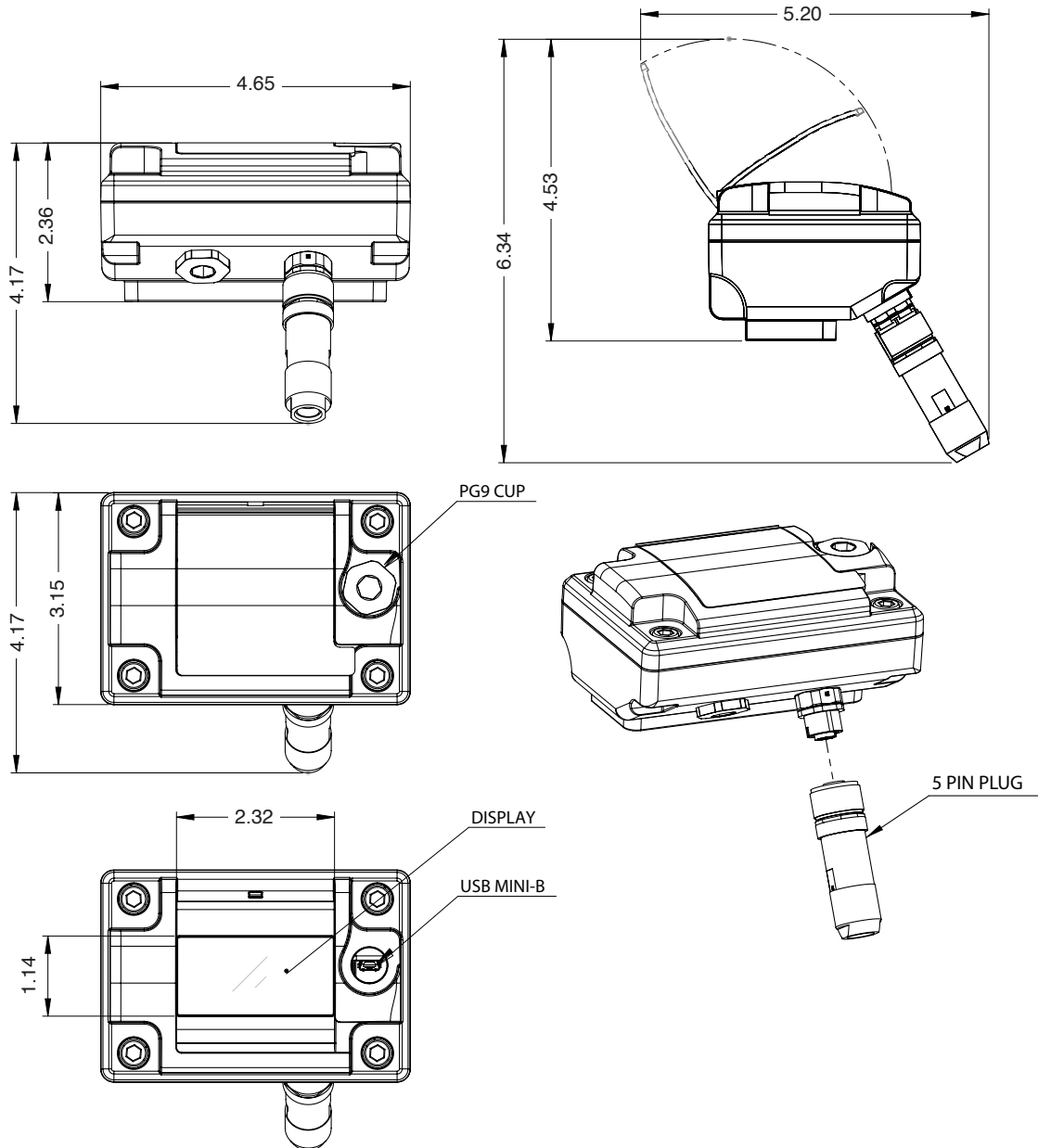
 TOTALIZER MEASURE UNIT

**ELECTROMAGNETIC FLOWMETER**

# FLOMOTION MV800 ENGINEERING SPECIFICATIONS

- Suitable for connection to ISOMAG MS1000 or MS2500 sensors up to 16 inches
- Minimum conductivity: 20  $\mu\text{S} / \text{cm}$ .
- Measuring accuracy: +/- 0.5% of reading
- Housing: cast aluminum or 304 SS
- Protection rating: Nema 6 (IP 67)
- Ambient Temperature: -4 to +140 °F (-20 to +60°C)
- Power supply: 10 - 30 VDC @1W
- Electrical connections via 5-pin plug
- PC programming via dedicated software (MCP Protocol)
- Display: Custom LCD, dimensions 2.36 x 1.6" (60 x 40 mm)
- No moving parts
- Bi-directional flow measurement
- Every sensor is factory wet calibrated and tested

## DIMENSIONS



DIMENSIONS IN INCHES

### FLOMOTION SYSTEMS Inc.

3 North Main St.  
Middleport, NY 14105  
Tel: 716-691-3941  
Fax: 716-691-1253  
Email: [info@flomotionsystems.com](mailto:info@flomotionsystems.com)  
[www.flomotionsystems.com](http://www.flomotionsystems.com)

