

PD6720

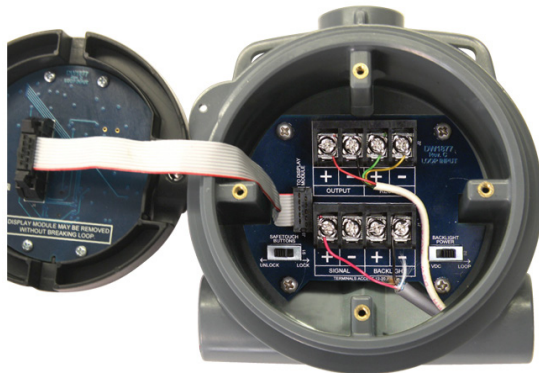
LOOP POWERED REMOTE DISPLAY



The PD6720 is a NEMA4X field mounted, loop-powered meter fully featured for demanding applications in wet or dirty environments.

The PD6720 takes power from the current loop of most instruments and does not require an independent power source. The large, easy-to-read display rotates to make installation easy.

Compatible with FLOMOTION ISOMAG electromagnetic flow meter converters.



PD6720 FEATURES

- 4-20 mA Input Loop-Powered
- 5-Digit, 0.7" (17.8 mm) Upper Display
- 7 Alphanumeric Character, 0.4" (10.2 mm) Lower Display
- Loop or External DC-Powered Backlight Standard
- SafeTouch® Through-Window Button Programming
- Password Protection
- 3.0 V Drop without Backlight
- Plastic NEMA 4X, IP65 Enclosure
- Flanges for Wall or Pipe Mounting
- Linear, Square Root, or Programmable Exponent
- Operates from -40 to 75°C
- Rate in Second, Minute, Hour, or Day
- Open Collector Pulse or Alarm Output

REMOTE DISPLAY

PD6720 Analog Input Rate/Totalizer

Displays rate & total simultaneously

Tag or Tamper Seal Loop

Mounting Flanges (Up to 2½" Pipe)

Safe Touch® Menu Button

Tamper Seal Loop Tab

Backlight Standard

0.7" (17.8 mm) 5-Digit

0.4" (10.2 mm) 7-Character (Alphanumeric)

Three ¾" NPT Conduit Holes

Safe Touch® Reset or Right Arrow

vantageview

Injection-Molded Plastic NEMA 4X IP65 Enclosure

Safe Touch® Enter or Alarm Acknowledge Button

Process Variable

Alphanumeric Engineering Units

Alarm Indicator

Password Protection

Safe Touch® Display or Up Arrow

Mechanical Buttons (4 Places)

2 Plastic Conduit Plugs Included

Rate/Totalizer Displays

Flow Rate Indicator

Flow Totalizer

Rate & Total

Easy to Setup

Programming



FLOMOTION PD6720 ENGINEERING SPECIFICATIONS

Except where noted all specifications apply to operation at +25°C.

General

- Display:
 - Upper: Five digits (-9,999 to 99,999) 0.70" (17.8 mm) high, 7-segment, automatic lead zero blanking.
 - Lower: Seven characters 0.4" (10.2 mm) high, 14 segment alphanumeric.
 - Symbols: for high & low alarm, password lock. Backlight: white
- Display Update Rate: Ambient > -25°C: 2 Updates/Second. Ambient < -25°C: 1 Update/5 Seconds
- Display Orientation: Display may be mounted at 90° increments up to 270° from default orientation.
- Overrange: Display flashes 99,999, Underrange: Display flashes -9,999
- Programming Method: Four SafeTouch® through-window buttons when cover is installed. Four internal pushbuttons when cover is removed.
- Max/Min Display: Max/Min readings reached by the process are stored until reset by the user or until power to the meter is turned off.
- Password: Programmable password restricts modification of programmed settings.
- Non-Volatile Memory: All programmed settings are stored in non-volatile memory for a minimum of ten years if power is lost.
- Operating Temperature Range: -40 to 75°C.
- Storage Temperature Range: -40 to 75°C.
- Relative Humidity: 0 to 90% non-condensing
- Enclosure: NEMA 4X, IP65 plastic field enclosure. Color: grey. Material: Polycarbonate with UV Stabilizer. Three ¾" NPT threaded conduit openings. Two ¾" NPT plastic conduit plugs, with 1.29" wrenching flats and a screwdriver slot, are included.
- Mounting: May be mounted directly to conduit. Two slotted flanges for wall mounting or NPS 1½" to 2½" or DN 40 to 65 mm pipe mounting.
- Overall Dimensions: 5.67" x 5.25" x 4.18" (W x H x D) (144 mm x 133 mm x 106 mm)
- Weight: 1.65 lbs (26.4 oz, 0.75 kg)

Input

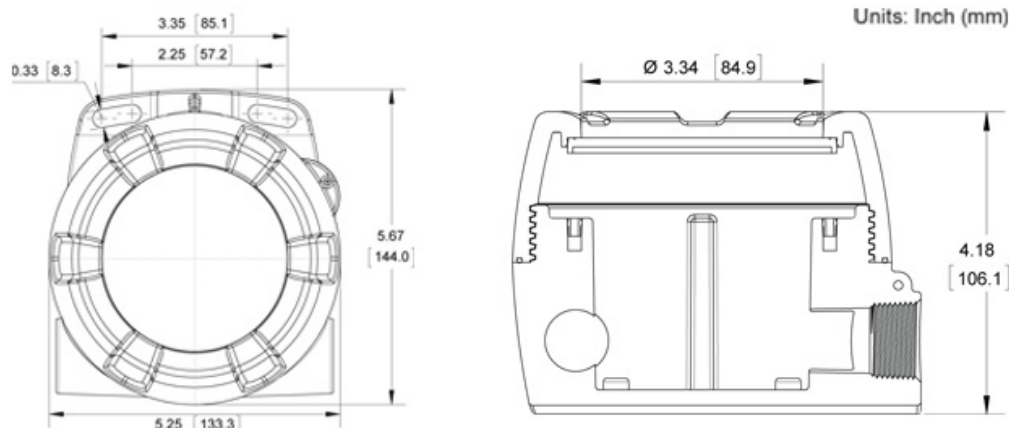
- Input range: 4-20 mA
- Accuracy: ±0.03% of calibrated span ±1 count, square root & programmable exponent accuracy range: 10-100% of calibrated span.
- Decimal Point: User selectable decimal point.
- Input Range: 4-20 mA.
- Maximum Voltage Drop: 3.0 VDC @ 20 mA without loop-powered backlight. 6.0 VDC @ 20 mA with loop-powered backlight.
- Equivalent Resistance: 150 Ω @ 20 mA without loop-powered backlight. 300 Ω @ 20 mA with loop-powered backlight.
- Input Overload: Over current protection to 2 A max.

Open Collector Output

- Rating: Isolated open collector, 30 VDC @ 150 mA max.
- Alarm Output: Assign as rate alarm or total alarm trip point.
- Acknowledge: Front panel ENTER button resets output and screen indication.
- Pulse Output K-Factor: K-factor programmable from 0.0001 to 99999.
- Pulse Output Frequency: 2, 4, 8, 16, 32, 64, 128 Hz.

Rate/Totalizer

- Rate Display: 0 to 99,999 leading zero blanking
- Total Display: 0 to 9,999,999 leading zero blanking
- Total Decimal Point: Up to six decimal places or none.
- Lower Display Configuration: Can be programmed to display total, tag name/engineering units, or to alternate between them.
- Totalizer: Calculates total based on rate, time base of second, minute, hour, or day, and field programmable multiplier; stored in non-volatile memory upon power loss.
- Totalizer Reset: Via front panel SafeTouch® button, time delay, external contact closure, or protected.
- Total Conversion Factor: 0.000001 to 9,999,999
- Totalizer Rollover: Display rolls over when display exceeds 9,999,999. Relay status reflects the displayed value.
- Total Reset Delay: Programmable from 0 to 99,999 seconds



FLOMOTION SYSTEMS Inc.

3 N Main St, Middleport, NY 14105
Tel: (800)909-3569 (U.S. & Canada)
(716)691-3941

