

SIGMAMOTOR

Provides higher accuracy and safety in metering pump systems



Pressure Relief Valves

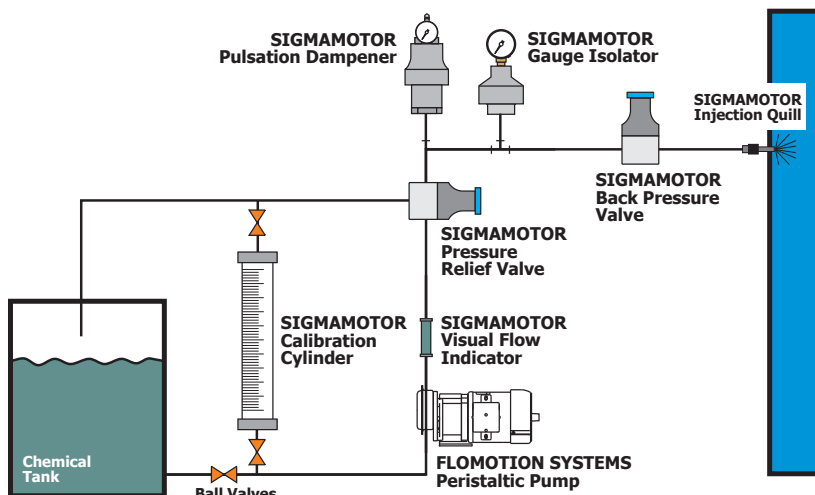
- CNC precision machined parts
- Fine pressure adjustment
- Cost effective and reliable
- Pressures from 5-150 psi (350 optional)
- Variety of materials available
- Right-angle, 2-port and 3-port

SIGMAMOTOR Pressure Relief Valves operate when the system pressure raises above the set pressure of the valve to protect systems from damage due to blockages or excessive pressure situations.

Inside the valve a spring holds a diaphragm against the valve seat until preset pressure is exceeded, then the diaphragm is forced up and the material in the system is forced out of the relief port. The valves are factory set but are easily adjusted in the field.



Typical System



CHEMICAL FEED ACCESSORIES

P: - - -
 1 2 3 4

Example: P-2N-250-P-V-L

PROCESS CONNECTION TYPE

1

	2-PORT		3-PORT	
PRESSURE/SPRING/TOP	5-150psi spring w/ PVC Top	50-350psi spring w/ SS Top (metal valves only)	5-150psi spring w/ PVC Top	50-350psi spring w/ SS Top (metal valves only)
NPT	2N	2MN	3N	3MN
BSP	2B	2MB	3B	3MB
SOCKET	2S	2MS	3S	3MS
FLANGED	2F	2MF	3F	3MF
UNION	2U	2MU	3U	3MU
RIGHT ANGLE NPT	2RN	2RMN		
RIGHT ANGLE BSP	2RB	2RMB		
RIGHT ANGLE SOCKET	2RS	2RMS		
RIGHT ANGLE FLANGED	2RF	2RMF		
RIGHT ANGLE UNION	2RU	2RMU		

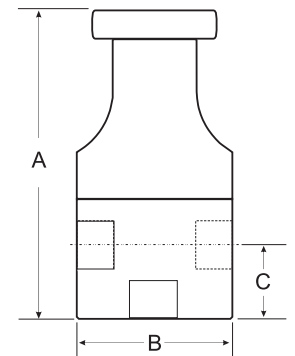
SIZE

Larger sizes upon request

2

SELECT:	250	375	499	500	750	100	150	200
NPT Size (in)	1/4	3/8	1/2 (mini)	1/2 (std.)	3/4	1	1-1/2	2
A-Height (in)	Metal: 4.11 Plastic: 4.43		5.93		9.00			
B-Diameter (in)	2.34		3.45		4.00	4.45		
C-Process Centerline (in)	1.07		1.18		2.05			
Pulsating US GPH	100	200	350	500	600	600	1350	2000
Contininuous US GPM	10	15	17.5	25	30	30	67	100

DIMENSIONS



VALVE BODY with PVC Top

3

PVC	P
POLYPROPYLENE	PP
CPVC	CP
PTFE	T
Kynar® PVDF	K
316 SS	S
ALLOY 20	A
HASTALLOY C276	H

OPTIONS

4

PTFE/EPDM Diaphragm, 5-150 psi Spring & PVC Top	
VITON Diaphragm	V
EPDM Diaphragm	E
PTFE / VITON Diaphragm	TV
0-50 PSI SPRING	L
50-350 PSI SPRING	H
CPVC TOP	CP
316 SS TOP	S

Material	Maximum Pressure	Maximum Temperature
PVC	150 psi	140 °F
CPVC	150 psi	195 °F
PP	150 psi	195 °F
PVDF	150 psi	285 °F
PTFE	150 psi	480 °F
METAL	350 psi	300 °F

FLANGE STYLE

Plastic:	ANSI 150# Flat Face
Metal:	ANSI 150# Raised Face

FLOMOTION SYSTEMS Inc.

3 North Main St.
 Middleport, NY 14105
 Tel: 716-691-3941
 Fax: 716-691-1253
 Email: info@flomotionsystems.com
 www.flomotionsystems.com

