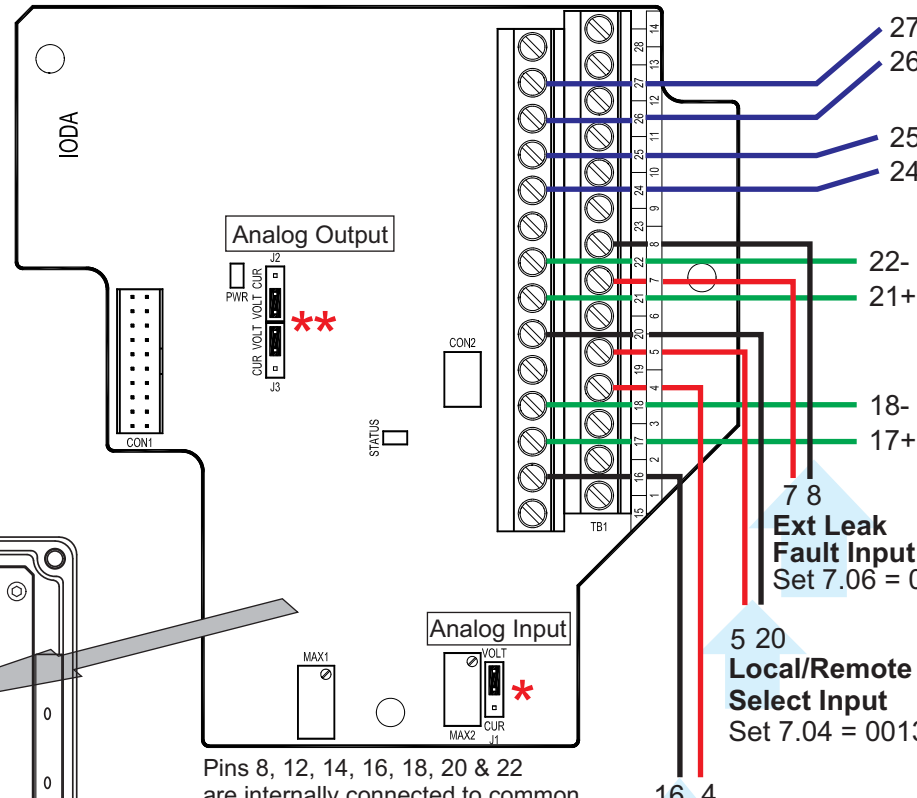




K4 SERIES Motor Drive &I/O Interface

Rev. 110822

IODA INPUT/OUTPUT MULTI-FUNCTION BOARD



REMOTE Status Output
N.O. relay dry contact (2 ADC)
Set 8.01 to 0009

2. FAULT Output
N.C. relay dry contact (2 ADC)
Set 8.00 to 0001

4-20mA Input
Speed Control
Set 9.07 = 20%
* Set Jumper J1 to "CUR"

4-20mA Output
Speed Feedback
Set 8.08 = 0000 (Motor Freq)
Set 8.09 = 2 (4-20 ma DC)
** Set Jumper J2 & J3 to "CUR"

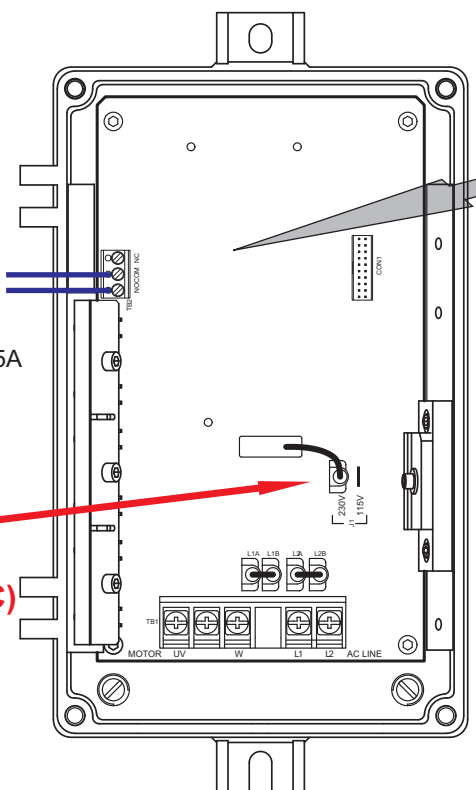
Ext Leak Fault Input
Set 7.06 = 0008

5 20 Local/Remote Select Input
Set 7.04 = 0013

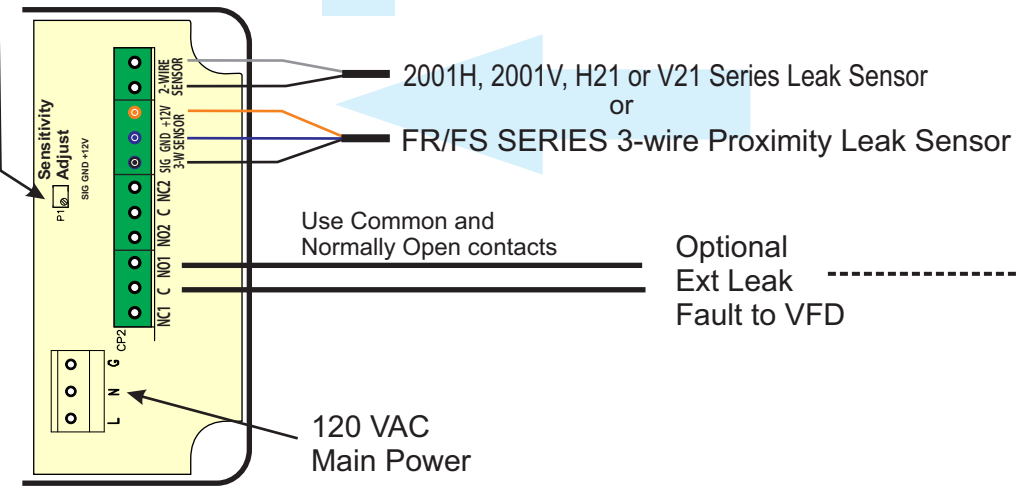
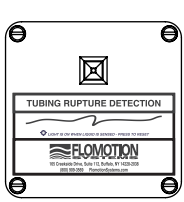
Start/Stop Control Input
Close=Start/Open=Stop
Set 1.00 = 0001
Set 7.03 = 0010

RUN Output
relay dry contact
Set 5.00 to 0000
Closes in RUN mode
30VDC 1A, 125VAC 0.5A
250VAC 0.25A

IMPORTANT: AC LINE INPUT VOLTAGE SELECTOR. (230V or 115VAC)



Turn clockwise to reduce sensitivity



Optional Ext Leak Fault to VFD

MISC Settings
1.05 = 0003 Auto Restart after power restored or when fault is cleared (except circuit shorts).
2.01 = 0001 Updates speed change without hitting Enter.
2.02 = 0002 Enables Local/Remote switching, disables JOG function.

** Note: if 8.09 is set to 0002 for Current Output but no load is attached the drive will fault (CS-T). Drive may be set to 8.09 = 0000 (0-5VDC output) for testing so no fault will occur. Change 8.09 back to 0002 for 4-20mA output once a load is attached.

Tubing Rupture Detector