

RLT50 SERIES

RADAR LEVEL TRANSMITTER

Economical radar level transmitter combines easy installation with high accuracy.



Constructed of corrosion resistant materials, the unique twist-on collar makes installation and removal a breeze.

RLT50 FEATURES

- 50ft (15m) range
- Accuracy of 0.2" with 1mm resolution
- Easy to install 2" NPT fitting
- Loop powered 4-20mA (max 550 Ω)
- 5 digit numeric LCD display
- Integral 5 button keypad
- 4 status lights
- Not affected by ambient or process conditions
- Easy setup and operation

DESCRIPTION

The RLT50 Series is designed to measure liquid and bulk solid levels in a wide variety of applications.

The compact, loop-powered RLT50 provides continuous, non-contacting level measurement with up to 50ft (15m) range. The measured value is converted into a current value for connecting with an external device.

The large LCD display, 4 status lights and 5 button keypad make setup and operation quick and easy.

FLUIDS

- Acids
- Bases
- Wastewater
- Juices
- Pastes
- Slurries
- Water
- Dyes
- Glue
- Sludge
- River Water
- Paper Stock
- Wine

APPLICATIONS

- Bulk Chemical Storage
- Pump Stations
- Clarifiers
- Filtration Levels
- River Level Monitoring
- Trash Rack Level Monitoring
- Waste Sump
- Tanker Truck Filling
- Water Storage Towers
- Reactors

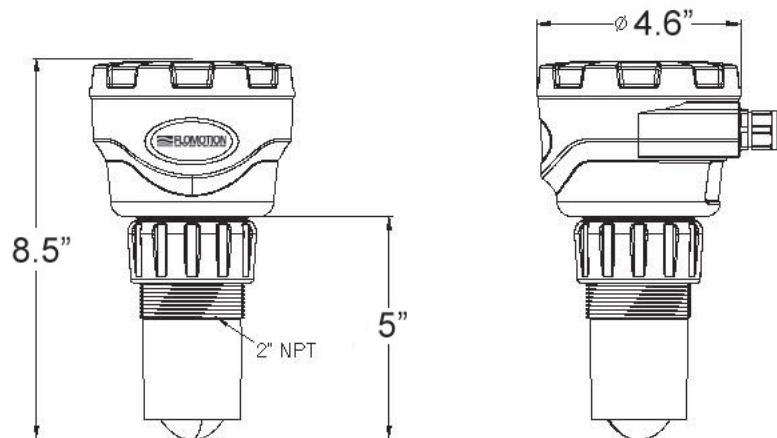
RADAR LEVEL TRANSMITTER



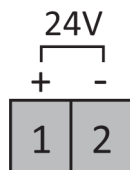
RLT50 SERIES ENGINEERING SPECIFICATIONS

Dimensions:	4.61in D x 8.5in H (117mm D x 216mm H)
Process Connection:	2" NPT
Weight (nominal):	1.2 lbs
Sensor Material:	Polypropylene (body) and PVDF (sensor)
Protection Rating:	NEMA 6 (IP67)
Temperature:	-22° to 158°F (-30° to 70°C)
Pressure:	Up to 36 psi (2.5 Bar)
Maximum Range:	50ft (15m)
Accuracy:	+/- 0.2" (5mm)
Resolution:	0.04" (1mm)
Beam Angle:	10°
Damping Rate:	0.006 to 5.48 fps (adjustable) (0.1m/min to 100m/min)
Analog Output:	4-20mA into max 550Ω load. 3.8mA or 21mA Fault alarm.
Display:	5 Digit Numeric LCD, 4 status LEDs
Power Supply:	18 - 30VDC, @21mADC

DIMENSIONS



WIRING



- V+ (1) : Direct current (DC) input terminal (18-30VDC)
- IO (2) : Current Output terminal (4-20mA)

FLOMOTION SYSTEMS Inc.

3 North Main St.
Middleport, NY 14105
Tel: 716-691-3941
Email: info@flomotionsystems.com
www.flomotionsystems.com

